

PARTS MANUAL

00. MAINTENANCE

FILTERS KIT

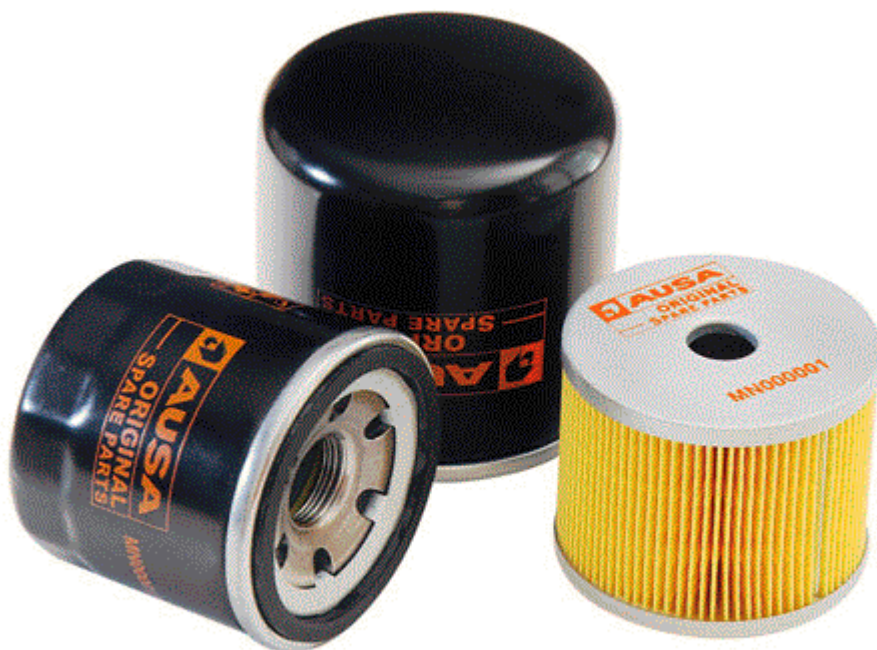


FIGURE	REFERENCE	DENOMINATION	AMOUNT
001	KF.49000RE00	M 150 M/MC FILTERS KIT	1
001.1	MN000027	OIL FILTER, CARTRIDGE	1
001.2	DN000002	FUEL FILTER CARTRIDGE (400h)	1
001.3	MN000017	PRE-FILTER, FUEL (200h+50h)	1
001.4	MN000034	AIR FILTER ELEMENT	1
001.5	09.00630.61	OIL FILTER ASP. 25 L/MIN	1

02. ENGINE

KUBOTA ENGINE (PART 1)

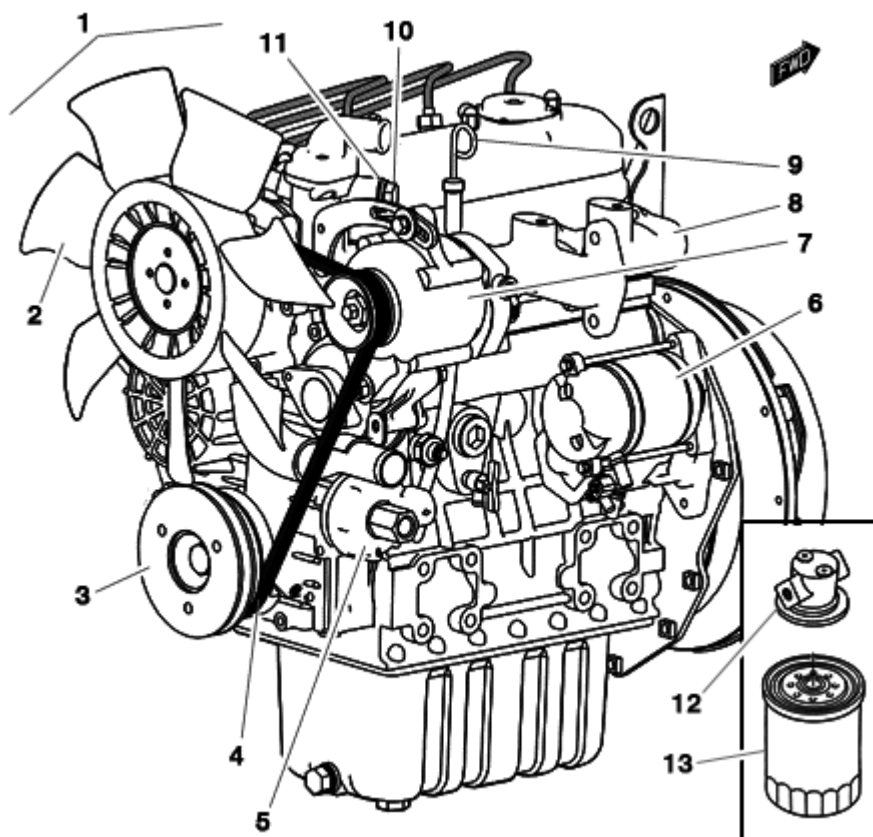


FIGURE	REFERENCE	DENOMINATION	AMOUNT
001	70.02200.00	DIESEL ENGINE KUBOTA D1105	1
002	49.02010.00	FAN	1
003	49.02011.00	PULLEY	1
004	KU1624197011	BELT	1
005	46.03032.00	GEARBOX SUPPORT	1
006	KU1661163013	STARTER ASSY	1
007	KU1624164011	NUT DIN982 M18	1
008	KU1626412311	EXHAUST MANIFOLD	1
009	KU1661136412	OIL LEVEL BAR	1
010	08.00301.02	NIPPLE M/TB	1
011	08.00317.00	METALLIC GASKET BUNA D3/8	1
012	KU5563137450	COVER, OIL FILTER 2	1
013	MN000027	OIL FILTER, CARTRIDGE	1

02. ENGINE

KUBOTA ENGINE (PART 2)

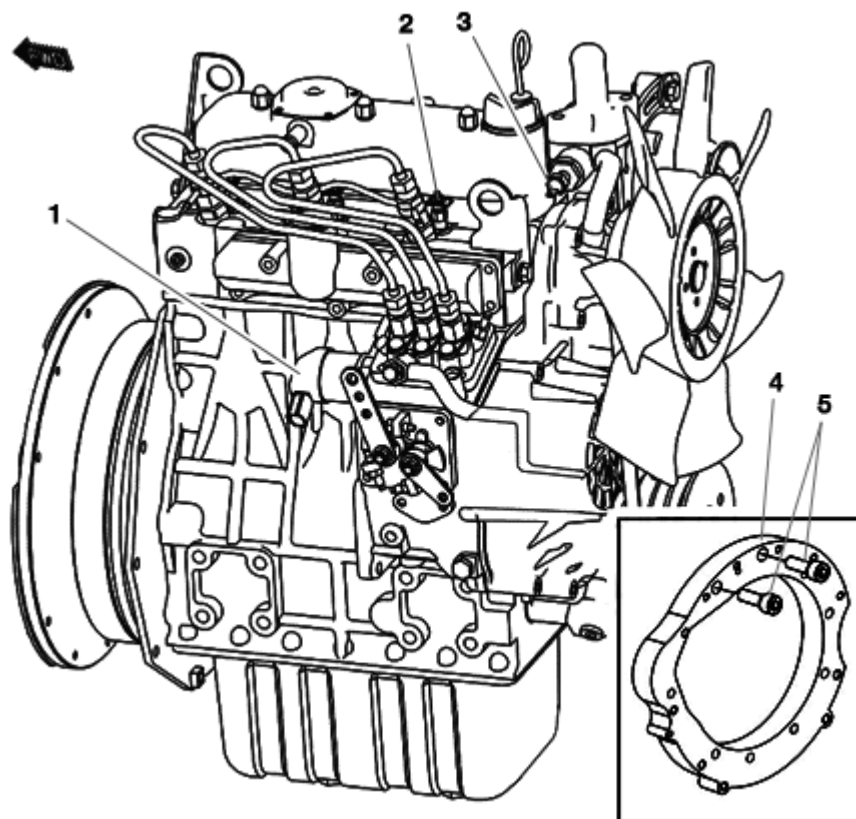


FIGURE	REFERENCE	DENOMINATION	AMOUNT
001	KU1720860014	STOP SOLENOID ASSY	1
002	KU1685165512	GLOW PLUG	3
003	KU1949883041	SWITCH, TEMPERATURE	1
004	49.03010.00	COUPLING CYL/CYL KUBOTA ENGINE	1
005	633.10030.86	SCREW DIN912 M10x1.25x30	2

02. ENGINE DELIVERY

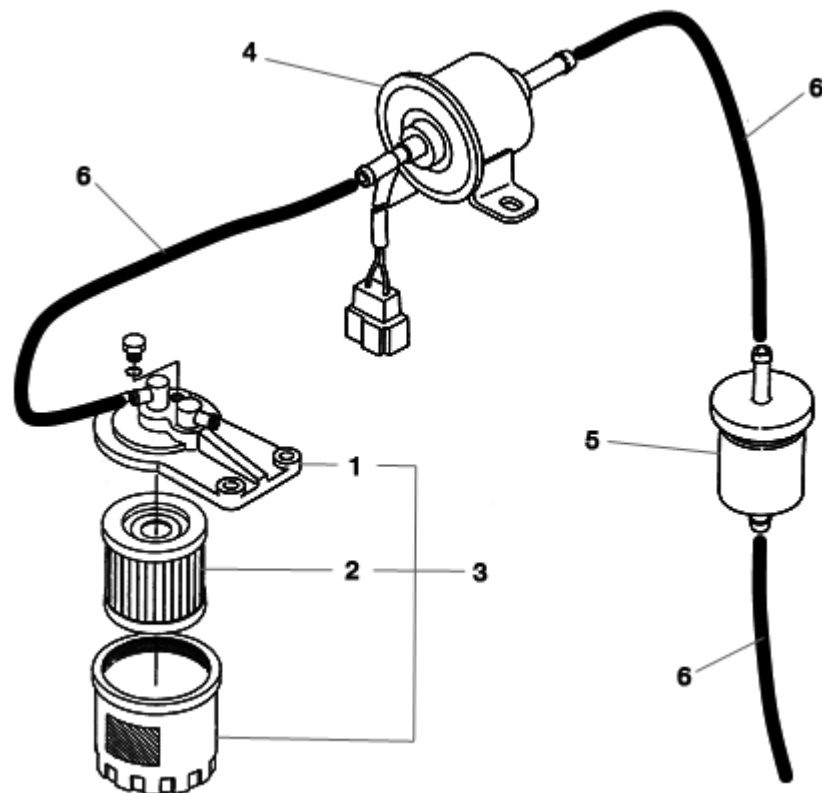


FIGURE	REFERENCE	DENOMINATION	AMOUNT
001	KU1522443200	ASSY COVER, FILTER	1
002	DN000002	FUEL FILTER CARTRIDGE (400h)	1
003	KU1522443010	DIESEL FILTER + SUPPORT	1
004	KU1G63952031	ELECTRIC PUMP	1
005	MN000017	PRE-FILTER, FUEL (200h+50h)	1
006	469.03014.00	HOSE L/P MAT. 8x14	1

02. ENGINE CLUTCH

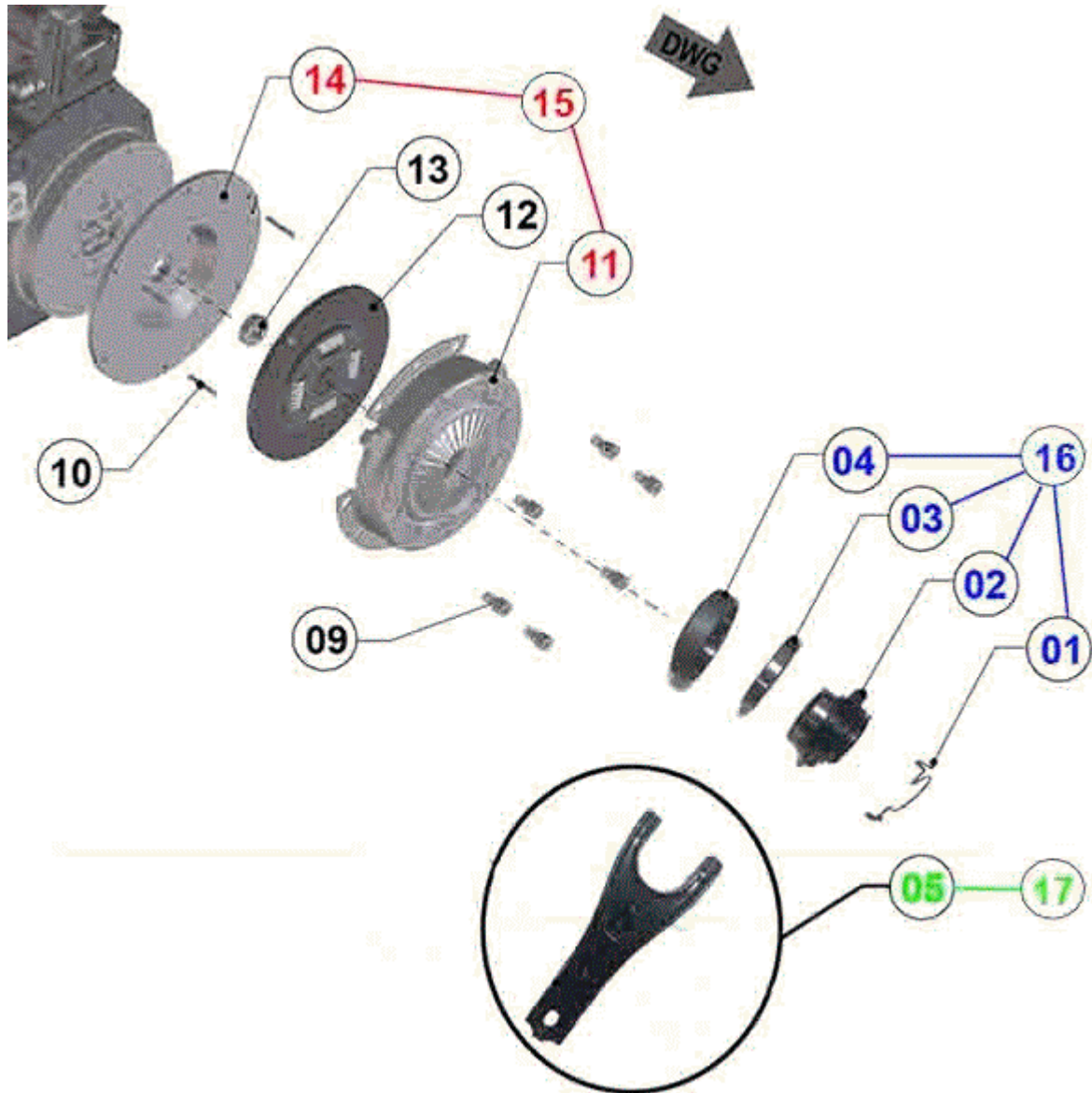


FIGURE	REFERENCE	DENOMINATION	AMOUNT
001	JAN1602056Z1	SPRING	1
002	JA1602051Z1	SLEEVE RELEASE CLUTCH	1
003	309.45012.00	BEARING DIN625 61909 2RS	1
004	49.00219.00	bush 45X76X17.5	1
005	JA1602020A0001RE		1
006	01.00220.01	SPRING TORSION	2
007	701.06000.66	NUT DIN934 M6X1	1
008	601.06070.86	SCREW DIN912 M6x70	1
009	601.10020.86	SCREW DIN912 M10x20	6
010	402.06015.00	PIN	3
011	43.10202.01	PRESSURE PLATE	1
012	46.00201.00	DISK CLUTCH	1

013	309.17012.00	BEARING DIN625	1
014	49.02100.00	PANEL	1

02. ENGINE

CLUTCH

CHASSIS: 66993

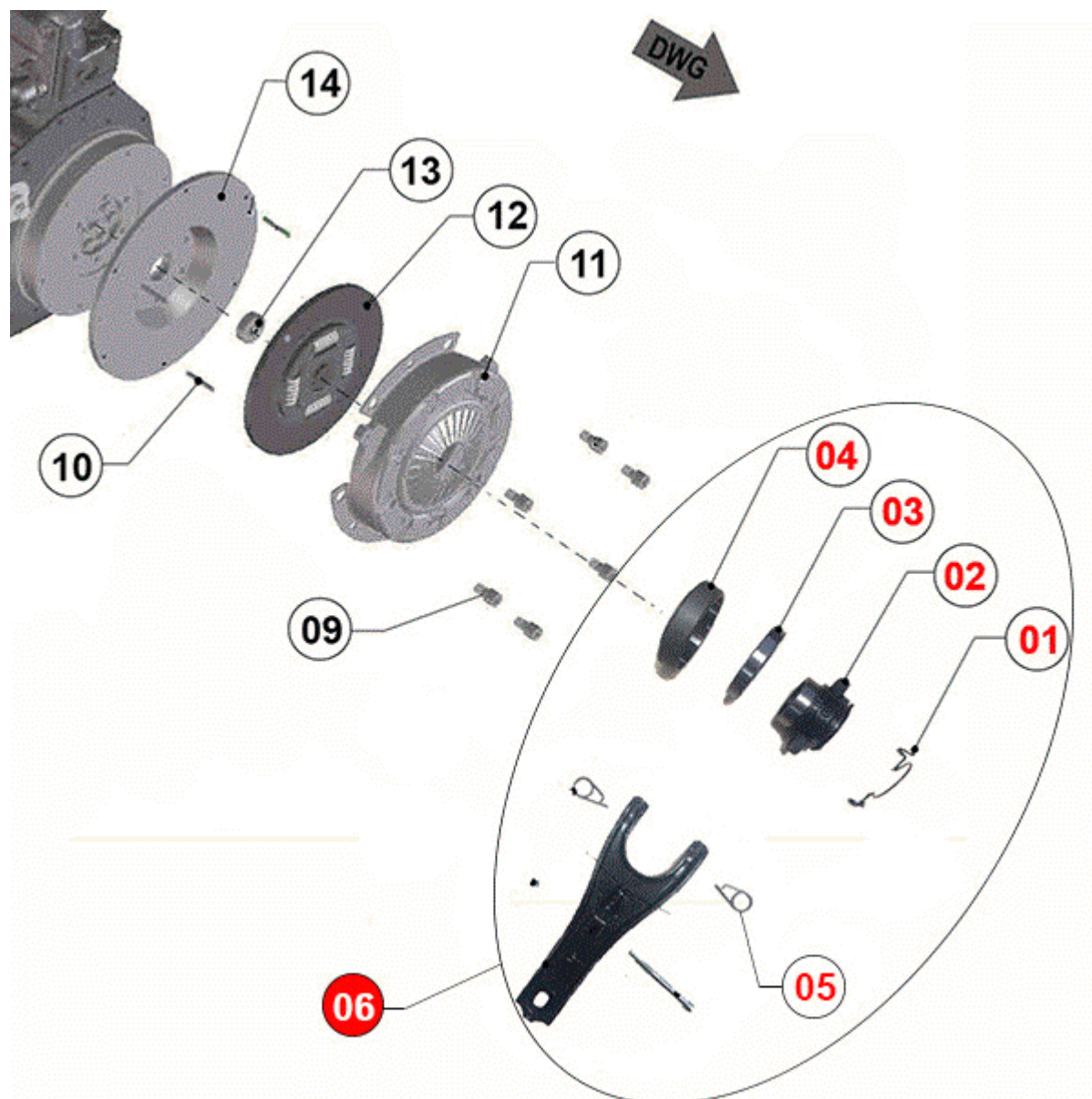


FIGURE	REFERENCE	DENOMINATION	AMOUNT
001	JAN1602056Z1	SPRING	1
002	JA1602051Z1	SLEEVE RELEASE CLUTCH	1
003	309.45012.00	BEARING DIN625 61909 2RS	1
004	49.00219.01	EXTERIOR SUPPORT AUSA 5X76X23	1
005	01.00220.01	SPRING TORSION	2
006	JA1602020A0001RE	CLUTCH LEVER KIT	1
009	601.10020.86	SCREW DIN912 M10x20	6
010	402.06015.00	PIN	3
011	46.00202.01	PRESSURE PLATE	1
012	46.00201.00	DISK CLUTCH	1

013	309.17012.00	BEARING DIN625	1
014	49.02100.01	PANEL	1

02. ENGINE

EXHAUST PIPE

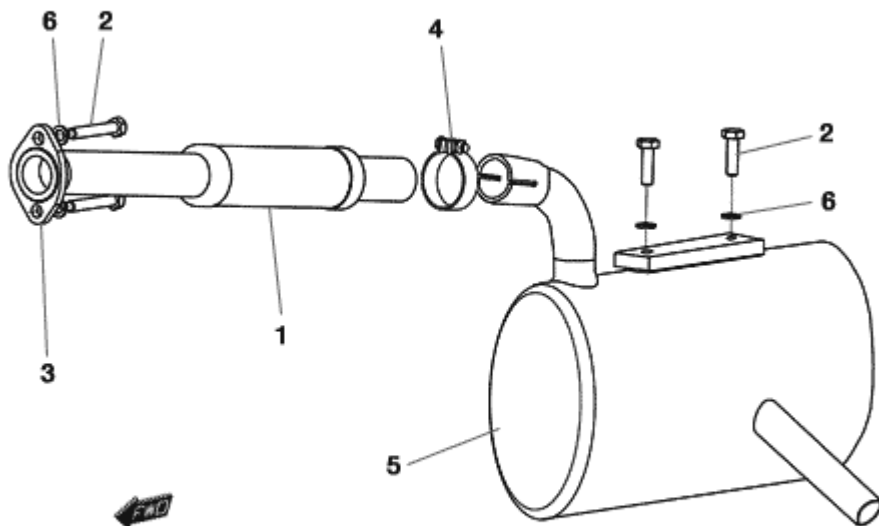


FIGURE	REFERENCE	DENOMINATION	AMOUNT
001	49.02021.00	EXHAUST MANIFOLD	1
002	603.10035.86	SCREW DIN933 M10x35	4
003	46.02023.00	SUPPORT 5X170X409.5	4
004	935.44047.66	CLAMP MIKALOR SUPER 44-47	1
005	49.02025.00	MUFFLER	1
006	104.10000.00	WASHER DIN7980 D10	4

02. ENGINE

EXHAUST PIPE

CHASSIS: 54768

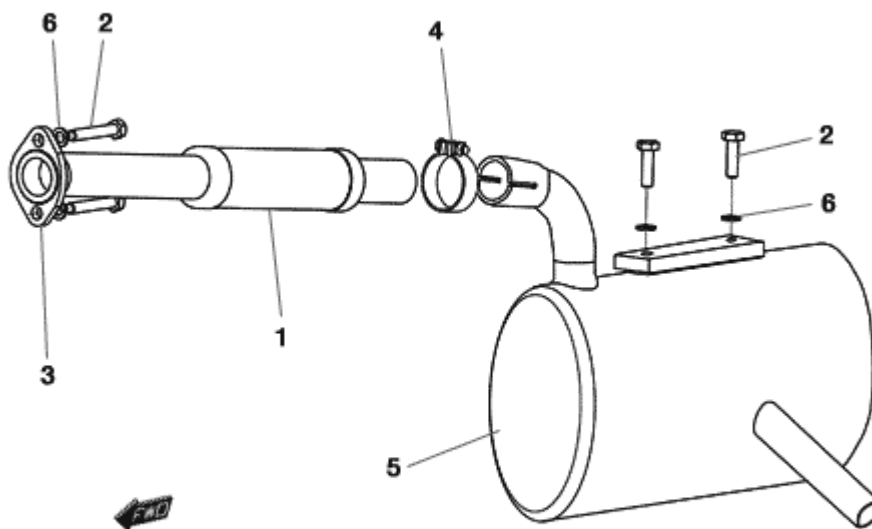


FIGURE	REFERENCE	DENOMINATION	AMOUNT
001	49.02021.00	EXHAUST MANIFOLD	1
002	603.10035.86	SCREW DIN933 M10x35	4
003	46.02023.00	SUPPORT 5X170X409.5	1
004	928.45000.66	HOSE CLAMP Ø45	1
005	49.02025.00	MUFFLER	1
006	104.10000.00	WASHER DIN7980 D10	4

02. ENGINE

EXHAUST PIPE

CHASSIS: 61598

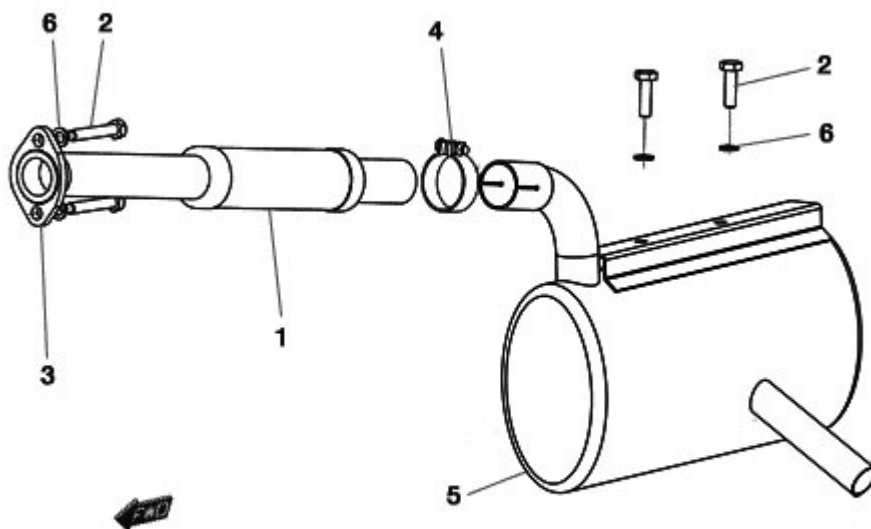


FIGURE	REFERENCE	DENOMINATION	AMOUNT
001	49.02021.00	EXHAUST MANIFOLD	1
002	603.10035.86	SCREW DIN933 M10x35	4
003	46.02023.00	SUPPORT 5X170X409.5	1
004	928.45000.66	HOSE CLAMP Ø45	1
005	49.02025.01	EXHAUST PIPE KUBOTA	1
006	104.10000.00	WASHER DIN7980 D10	4

02. ENGINE

AIR FILTER COMP.

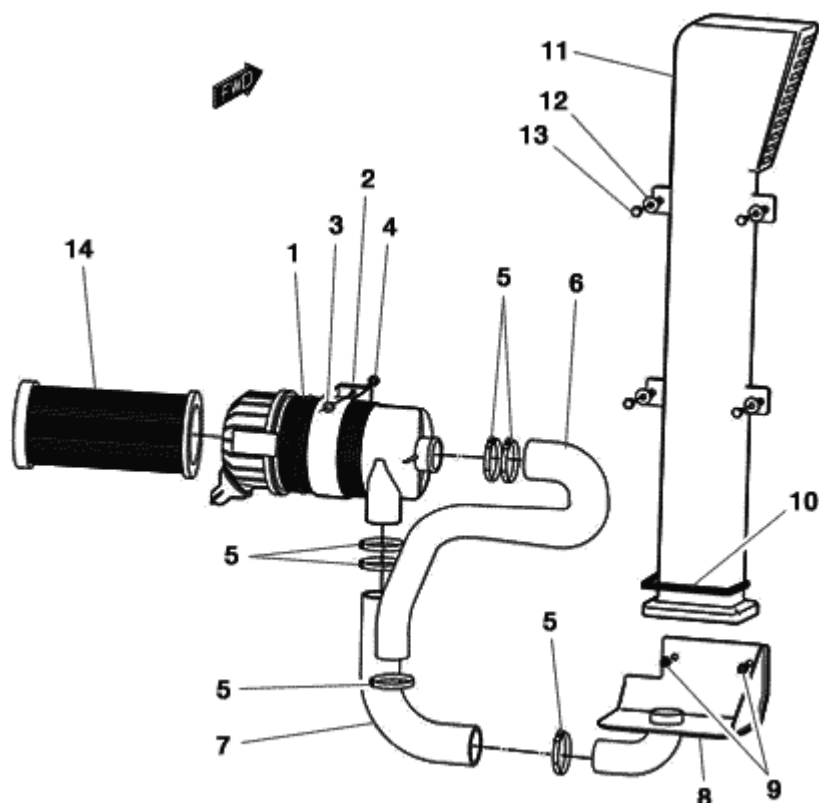


FIGURE	REFERENCE	DENOMINATION	AMOUNT
001	45.01200.12	AIR FILTER VIRGIS	1
002	45.01201.11	CLAMP Ø146x50.5 AIR FILTER	1
003	104.08000.00	WASHER DIN7980 D8	2
004	711.06000.66	NUT DIN982 M6	2
005	912.40060.66	CLAMP D40-60	5
006	49.02033.00	RUBBER HOSE B/P	1
007	49.02031.00	RUBBER HOSE B/P	1
008	49.10051.00	AIR FILTER SUPPORT	1
009	711.08000.66	NUT DIN982 M8	2
010	46.08179.00	PROFILE	1
011	46.02365.00	ADMISSION TUBE	1
012	112.08000.66	WASHER DIN9021 D8	4
013	603.08030.86	SCREW DIN933 M8X30	4
014	45.01204.00	FILTER ELEMENT 60x105x300 (500H)	1

02. ENGINE

AIR FILTER COMP.

CHASSIS: 66424

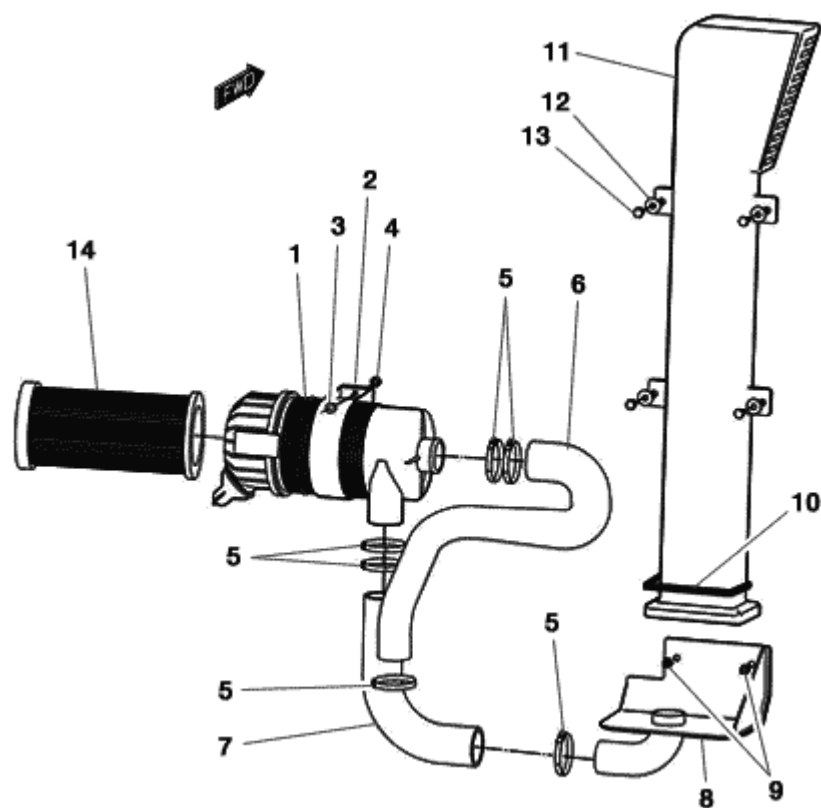


FIGURE	REFERENCE	DENOMINATION	AMOUNT
001	45.01200.12	AIR FILTER VIRGIS	1
002	45.01201.11	CLAMP Ø146x50.5 AIR FILTER	1
003	104.08000.00	WASHER DIN7980 D8	2
004	711.06000.66	NUT DIN982 M6	2
005	912.40060.66	CLAMP D40-60	5
006	49.02033.00	RUBBER HOSE B/P	1
007	49.02031.00	RUBBER HOSE B/P	1
008	49.10051.00	AIR FILTER SUPPORT	1
009	711.08000.66	NUT DIN982 M8	2
010	46.08179.00	PROFILE	1
011	46.02365.01	AIR INTAKE PIPE DUCT	1
012	112.08000.66	WASHER DIN9021 D8	4
013	603.08030.86	SCREW DIN933 M8X30	4
014	45.01204.00	FILTER ELEMENT 60x105x300 (500H)	1

02. ENGINE

FUEL TANK

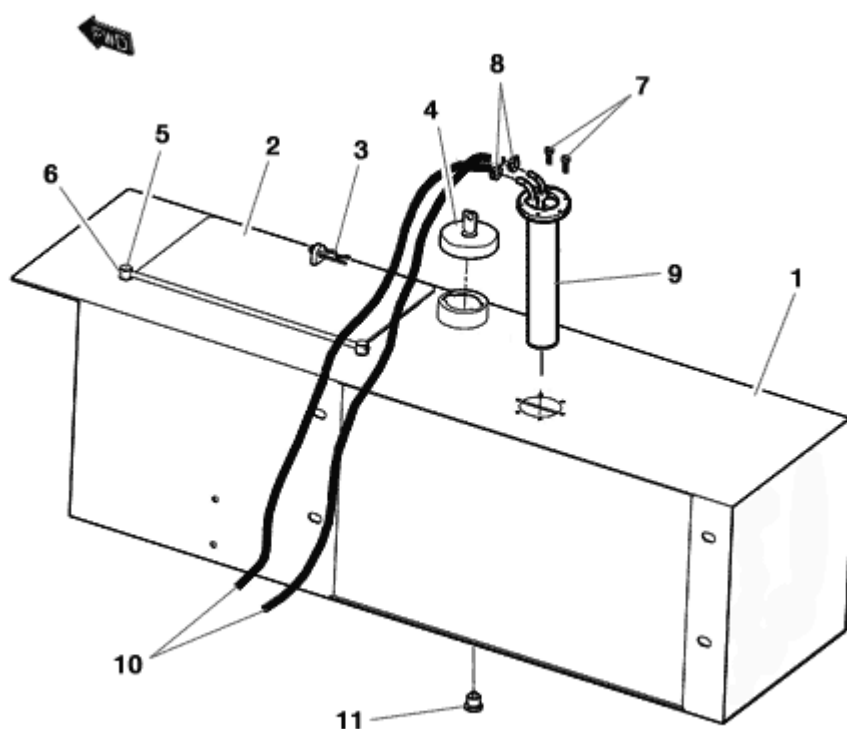


FIGURE	REFERENCE	DENOMINATION	AMOUNT
001	49.02040.01	FUEL TANK 35L	1
002	49.02041.00	COVER	1
003	15.00836.00	PIN DIN11024 R4	1
004	15.01524.01	CAP WITH LOCK 40X72	1
005	01.00735.00	SUPPORT ART.	2
006	711.08000.66	NUT DIN982 M8	2
007	615.04015.66	SCREW DIN84 M4x15	6
008	912.08016.66	CLAMP DIN3017	2
009	10.14287.00	LEVEL	1
010	469.03014.00	HOSE L/P MAT. 8x14	1
011	10.00921.00	CAP M14X150 DIN908	1

02. ENGINE

RADIATOR

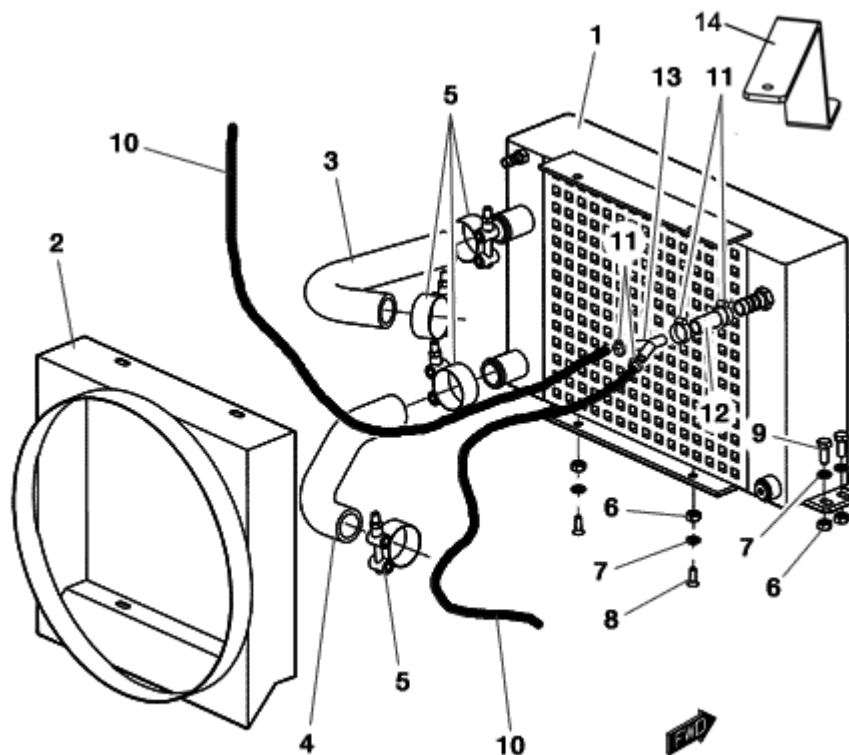


FIGURE	REFERENCE	DENOMINATION	AMOUNT
001	49.02051.00	WATER RADIATOR	1
002	49.02052.00	FAN PROTECTOR	1
003	70.02157.00	RUBBER HOSE B/P	1
004	70.02156.00	RUBBER HOSE B/P	1
005	935.44047.66	CLAMP MIKALOR SUPER 44-47	4
006	701.08000.66	NUT DIN934 M8x1,25	6
007	104.08000.00	WASHER DIN7980 D8	6
008	618.08020.86	SCREW DIN7991 M8x20	2
009	603.08020.86	SCREW DIN933 M8x20	4
010	464.03024.00	TUBE	2
011	912.20032.00	CLAMP	4
013	10.00692.00	EMPALME MANGUERA	1
014	49.02260.00	RADIATOR SUPPORT 6X40	1

02. ENGINE

EXPANSION TANK

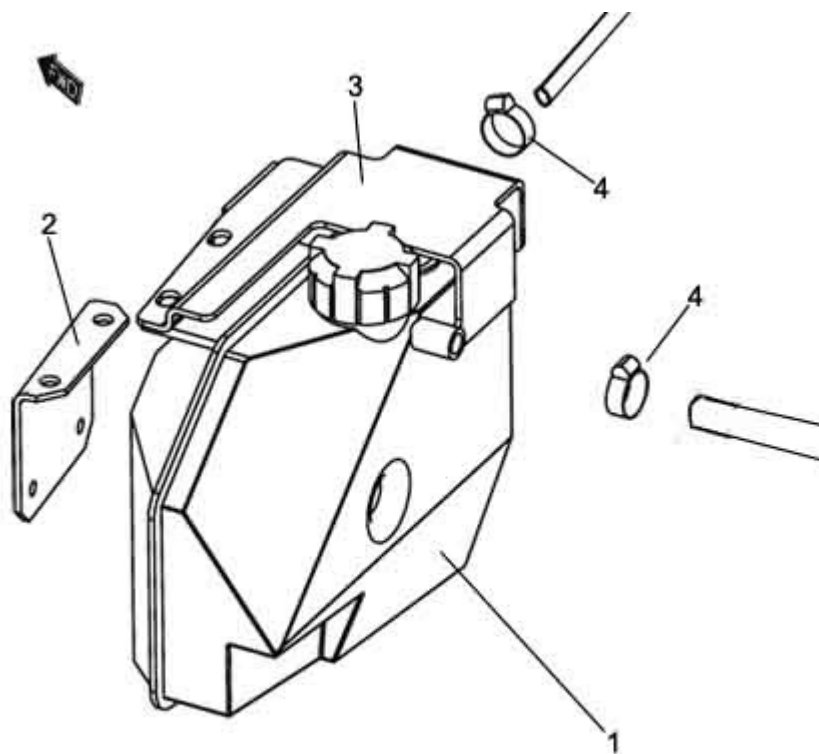


FIGURE	REFERENCE	DENOMINATION	AMOUNT
001	46.02920.00	EXPANSION TANK	1
002	46.04191.01	SUPPORT	1
003	46.02570.00	REINFORCEMENT	1
004	912.20032.00	CLAMP	2

02. ENGINE SUPPORTS

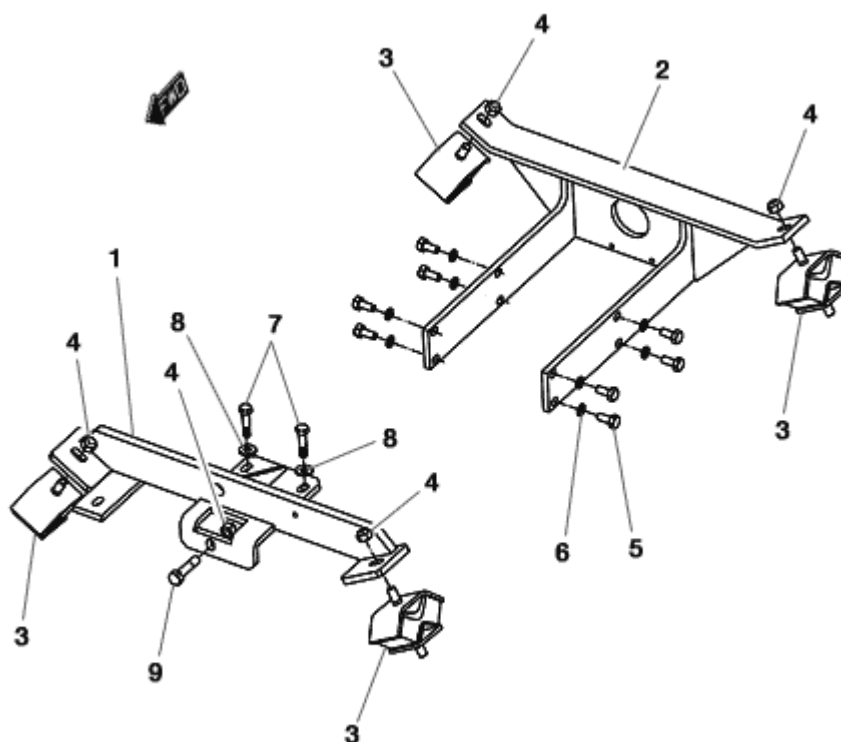


FIGURE	REFERENCE	DENOMINATION	AMOUNT
001	49.02060.00	ENGINE SUPPORT	1
002	49.02061.00	PUMP SUPPORT	1
003	15.97770.01	SHOCK ABSORBER 60X120X64 50 A	4
004	711.12000.66	NUT DIN982 M12	4
005	617.10025.86	SCREW DIN960 M10X25X1.25	8
006	104.10000.00	WASHER DIN7980 D10	8
007	604.10030.86	SCREW DIN931	2
008	112.10000.66	WASHER DIN9021 D10	2
009	604.12050.86	SCREW DIN931 M12x50	1

02. ENGINE

PUMP COUPLING

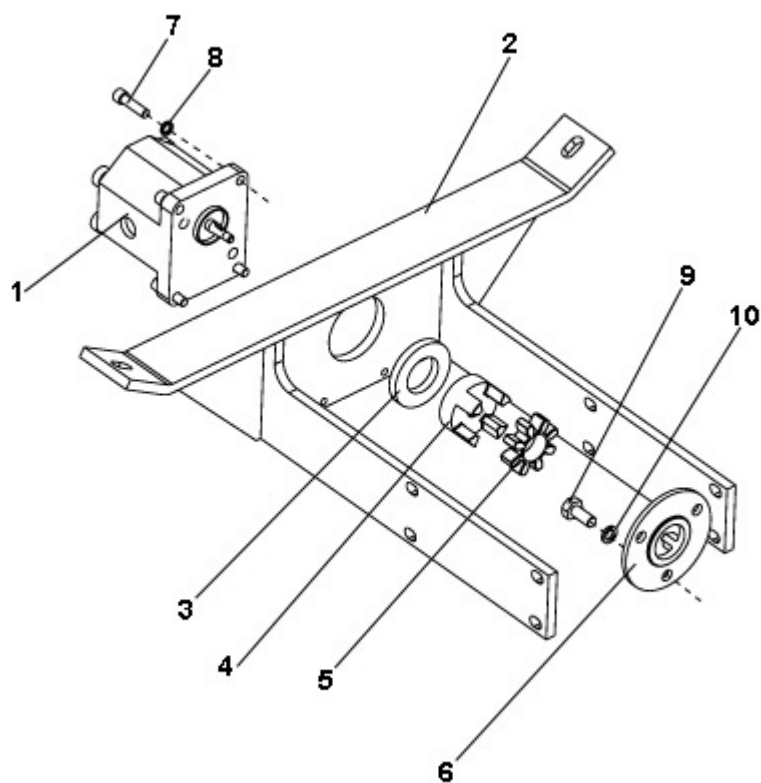


FIGURE	REFERENCE	DENOMINATION	AMOUNT
001	15.01205.00	HYDR. PUMP	1
002	49.02061.00	PUMP SUPPORT	1
003	09.00140.00	BUSHING 36x65x8	1
004	45.00155.03	ELASTIC COUPLING 17x54x37	1
005	15.00143.00	RING, INNER	1
006	49.10011.00	ELASTIC COUPLING 23X100	1
007	601.08030.86	SCREW DIN912 M8x30	4
008	104.08000.00	WASHER DIN7980 D8	4
009	617.10025.86	SCREW DIN960 M10X25X1.25	3
010	104.10000.00	WASHER DIN7980 D10	3

03. TRANSMISSION

BOÎTE À VITESSES

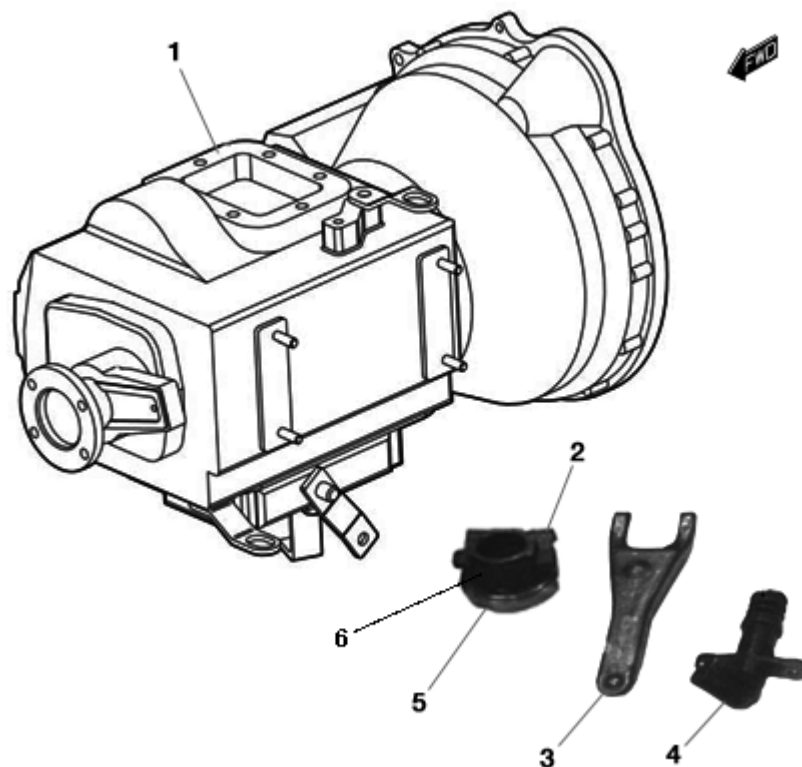


FIGURE	REFERENCE	DENOMINATION	AMOUNT
001	46.03210.00	GEARBOX	1
002	JAN1602056Z1	SPRING	1
003	JA1602020A0001RE	CLUTCH LEVER KIT	1
004	JA1606010B10JC	PUMP	1
005	JA986809K2	BEARING RELEASE CLUTH	1
006	JA1602051Z1	SLEEVE RELEASE CLUTCH	1

03. TRANSMISSION

BOÎTE À VITESSES

CHASSIS: 62577

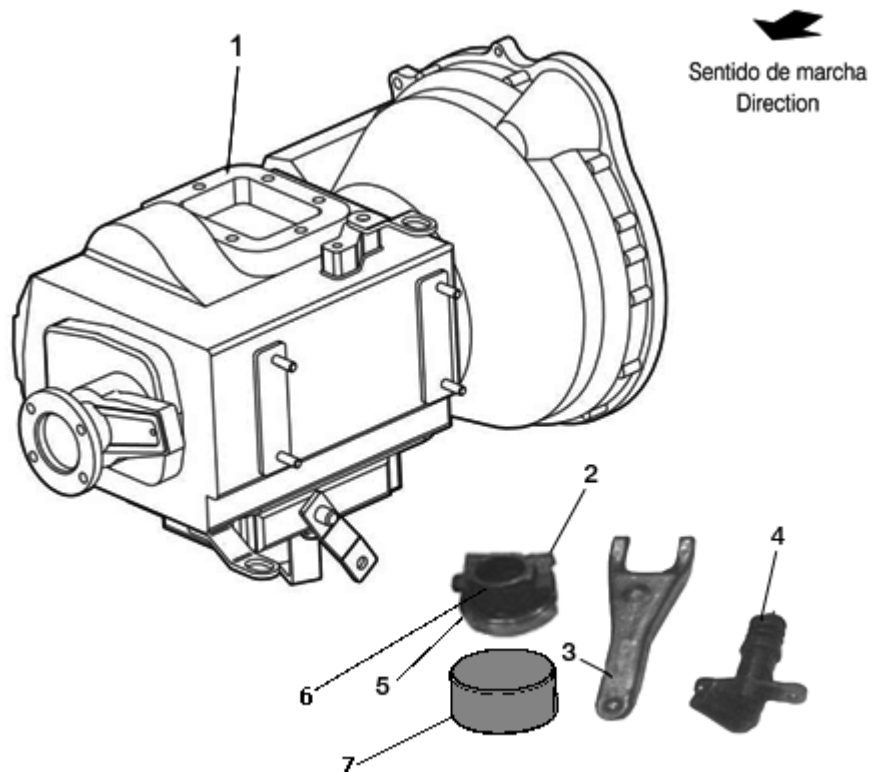


FIGURE	REFERENCE	DENOMINATION	AMOUNT
001	46.03210.00	GEARBOX	1
002	JAN1602056Z1	SPRING	1
003	JA1602020A0001RE	CLUTCH LEVER KIT	1
004	JA1606010B10JC	PUMP	1
005	309.45012.00	BEARING DIN625 61909 2RS	1
006	JA1602051Z1	SLEEVE RELEASE CLUTCH	1
007	43.00219.00	BUSH 45x76x22	1

03. TRANSMISSION

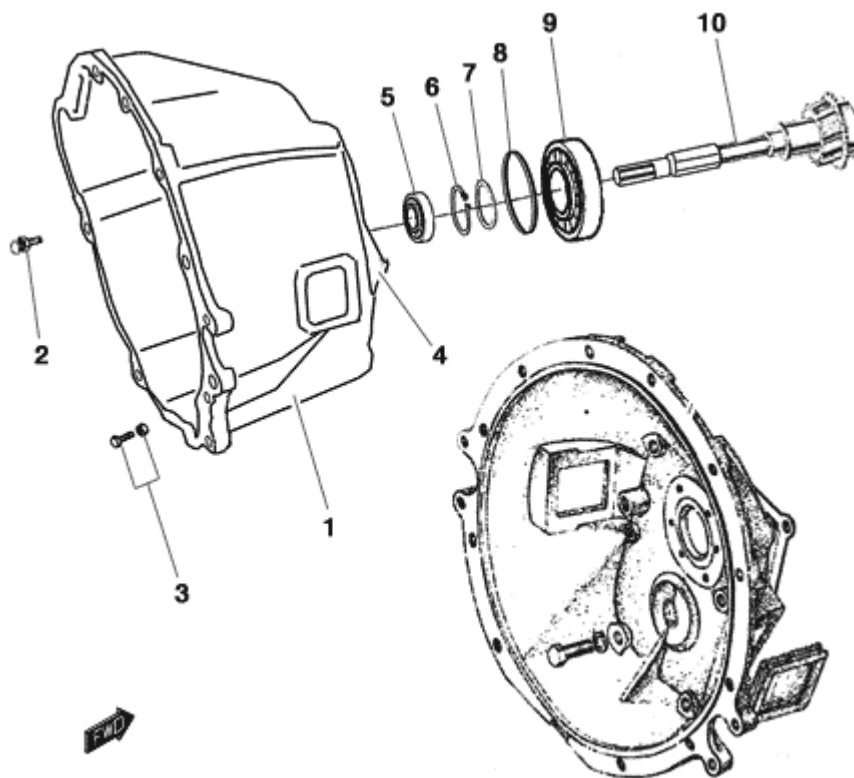


FIGURE	REFERENCE	DENOMINATION	AMOUNT
001	JAN160131121	CLUTCH HOUSING	1
002	JAN1601310Y1	SCREW	1
003	JAN160134100	SCREW ASSY.	6
004	JAN16013110401	GASKET	1
005	JAN160132000	OIL SEAL	1
006	JAN170113300	SNAP RING	1
007	JAN170113300	SNAP RING	1
008	JAN90965GB305	RING	1
009	JAN6308NC3Z2	BEARING	1
010	JAN1701110A2	PRIMARY SHAFT	1

03. TRANSMISSION

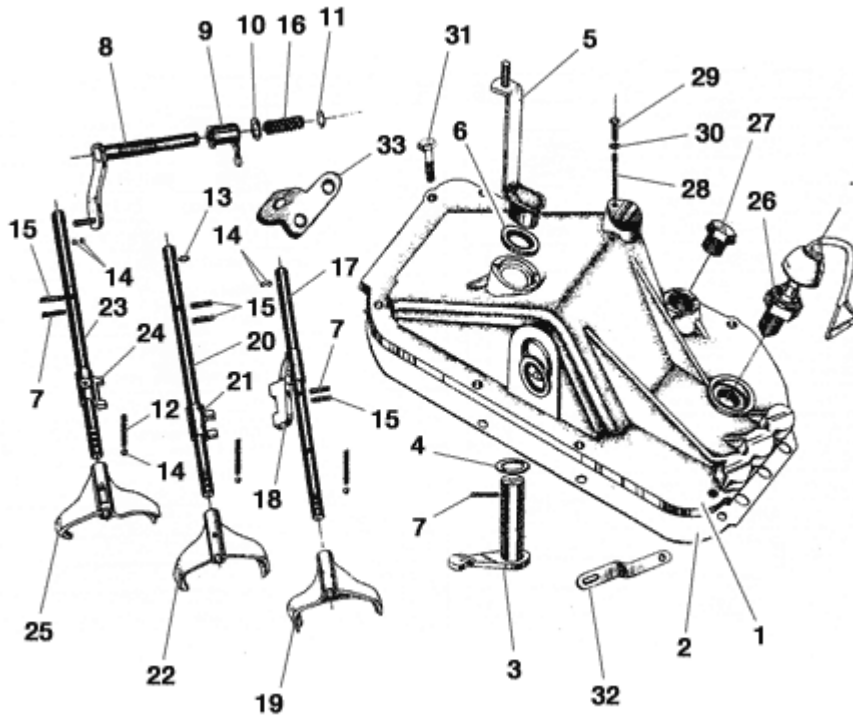


FIGURE	REFERENCE	DENOMINATION	AMOUNT
001	JAN170211124	TRANSMISSION COVER	1
002	JAN17021112301	TRANS. COVER GASKET	1
003	JAN170219000Z	GEAR-SELECT ROCKER ARM	1
004	JAN170219300	WASHER	1
005	JAN1702200S2	OUTER ROCKER ARM ASSY.	1
006	JAN170211200	OIL SEAL	2
007	JAQ5280525	COLUMN PIN	7
008	JAN1702160S2	SHIFT ROCKER ARM ASSY.	1
009	JAN170218001	GEAR ROCKER ARM	1
010	JAN170217600Z	WASHER	1
011	JAN170217300	WASHER	1
012	JAN170225401	SPRING	3
013	JAN170225501	PIN	1
014	JA8731GB30884	STEEL BALL	7
015	JAQ5280325	COLUMN PIN	6
016	JAN17021740202	SPRING	1
017	JAN170223320	SHAFT SHIFT	1
018	JAN170224121	BLOCK	1

03. TRANSMISSION

FIGURE	REFERENCE	DENOMINATION	AMOUNT
019	JAN170223220	SHIFT FORK (1ST & 2ND GEAR)	1
020	JAN170221220	SHAFT SHIFT	1
021	JAN170224120	BLOCK	1
022	JAN170223020	SHIFT FORK (3RD & 4TH GEAR)	1
023	JAN170224320	SHAFT SHIFT	1
024	JAN170224100Z	BLOCK	1
025	JAN170224220	SHIFT FORK (5TH & REAR GEAR)	1
026	JAJK611AB	REVERSE SENSOR	1
027	JAN170101120	FILLER PLUG	1
028	JAQ5240440	COLUMN PIN	1
029	JAQ150B0612	SCREW	1
030	JAN170221104	WASHER	1
031	JAN170151301	SCREW	7
031	JAQ150B0830	SCREW	3
032	JAN1029E17010111	SUPPORT	1

03. TRANSMISSION

GEARBOX (MAINSHAFT & ACCESSORIES) PART 1

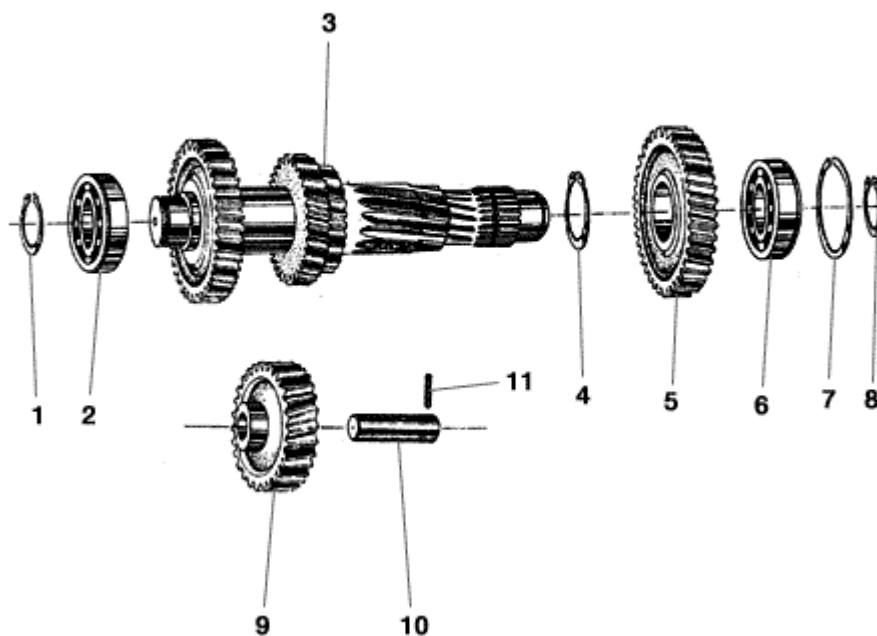


FIGURE	REFERENCE	DENOMINATION	AMOUNT
001	JAGB89418635	SNAP RING	1
002	JA6207NC3Z2	BEARING	1
003	JAN17014112101	COUNTERSHAFT	1
004	JAN170113300	SNAP RING	1
005	JAN170144120Z	GEAR	1
006	JA6332NC3Z2	BEARING	1
007	JA75816GB305	RING	1
008	JAN170113303	SNAP RING	1
009	JAN170148020	REVERSE GEAR	1
010	JAN170148300	GEAR SHAFT	1
011	JAN170150200	PIN	1

03. TRANSMISSION GEARBOX (MAINSHAFT & ACCESSORIES) PART 2

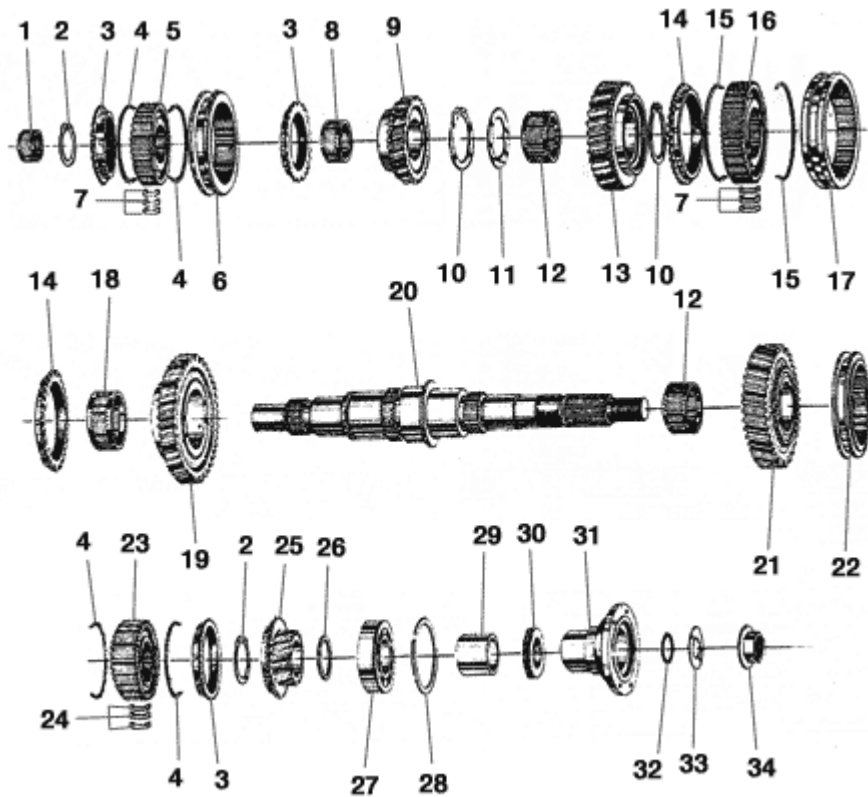


FIGURE	REFERENCE	DENOMINATION	AMOUNT
001	JAN170121002	NEEDLE BEARING	1
002	JAN170122201Z	SNAP RING	1
003	JAN170122600	RING GEAR	3
004	JAN170122500	SPRING	4
005	JAN170122120	HUB GEAR	1
006	JAN170122301	SLEEVE	1
007	JAN170122400	SLIDE	3
008	JAN170124420	NEEDLE BEARING	1
009	JAN170124120Z	GEAR	1
010	JAN170123500Z	RING	2
011	JAN170123600	WASHER	1
012	JAN170126001	NEEDLE BEARING	2
013	JAN170125020Z	GEAR	1
014	JAN170127601	GEAR RING	2
015	JAN170127400	SPRING	2
016	JAN170127101A	HUB GEAR	1
017	JAN170127201A	SLEEVE	1
018	JAN170126002A	NEEDLE BEARING	1

03. TRANSMISSION

GEARBOX (MAINSHAFT & ACCESSORIES) PART 2

FIGURE	REFERENCE	DENOMINATION	AMOUNT
019	JAN170128120Z	GEAR	1
020	JAN170120123	MAIN SHAFT	1
021	JAN170129020	GEAR	1
022	JAN170133220	SLEEVE	1
023	JAN170133120	HUB GEAR	1
025	JAN170123020Z	GEAR	1
025	JAN170133301	GEAR	3
026	JAN1701232101	WASHER	1
027	JA6332NYIC3Z2	BEARING	1
028	JA75816GB305	RING	1
029	JAN170136100	TUBE	1
030	JAN170136221	BEARING	1
031	JAN170137121	HUB	1
032	JAN170137201	RING	1
033	JAN170137501	WASHER	1
034	JAN170137401	NUT	1

03. TRANSMISSION

GEARBOX (MAINSHAFT & ACCESSORIES) PART 3

CHASSIS: 51568

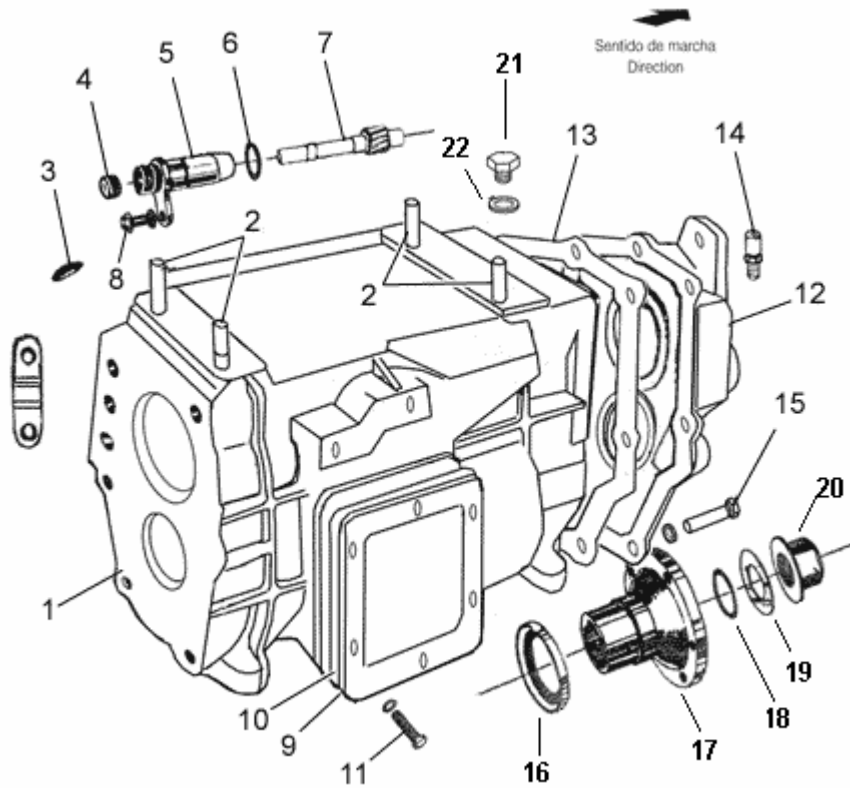


FIGURE	REFERENCE	DENOMINATION	AMOUNT
001	JAN170100122	HOUSING	1
002	JAN170100300	BOLT	4
003	JAQ72116	PLUG	1
004	JAN170002100	OIL SEAL	1
005	JAN1700023M1	CABLE SLEEVE	1
006	JAGB123576	RING	1
007	JAN1700011M1	GEAR SHAFT	1
008	JAN170151300	BOLT	1
009	JAN170151101	COVER	1
010	JAN170151201	GASKET	1
011	JAN170151304	BOLT	6
012	JAN170152121	REAR COVER	1
013	JAN170152400	GASKET	1
014	JAQ9001	PLUG ASSY.	1
015	JAN170151301	SCREW	17
016	JAN170152202	OIL SEAL, SEAR COVER	1
017	JAN170101120	FILLER PLUG	1
018	JA1029E1710112	OIL SEAL	1

03. TRANSMISSION

GEARBOX (MAINSHAFT & ACCESSORIES) PART 3

CHASSIS: 51568

FIGURE	REFERENCE	DENOMINATION	AMOUNT
019	JAN170137501	WASHER	1
020	JAN17013740101	BIAXIAL SCREW NUT	1
021	JAN170100106	OIL DRAIN PLUG	1
022	JAN17022560001	PAPER WASHER	1

03. TRANSMISSION

GEARBOX (MAINSHAFT & ACCESSORIES) PART 4

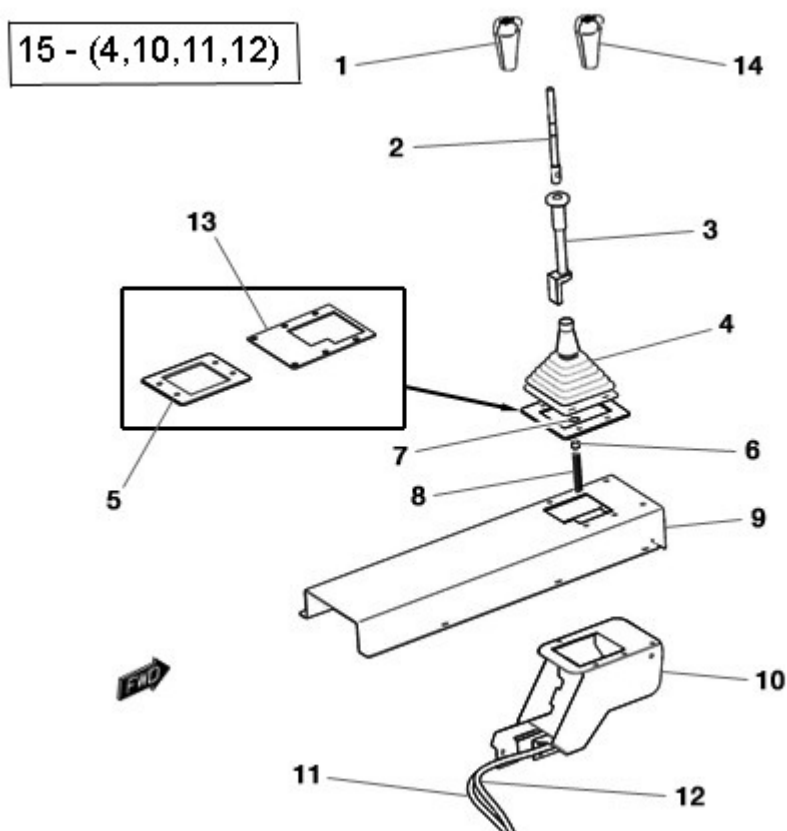


FIGURE	REFERENCE	DENOMINATION	AMOUNT
001	49.03078.00	KNOB D50X79 4 SPEEDS	1
002	46.03039.00	AXLE CAS/ROS	1
003	46.03091.00	TUBE, METALLIC Ø16xØ12.25x200	1
004	46.03224.00	RUBBER DUST PROTECTOR	1
005	46.03077.00	GUARD 4X140X140 5 SPEEDS	1
006	940.01210.00	BUSHING 12x14x10 DIN 1494	1
007	911.01200.00	RING DIN9045 Ø12	1
008	46.03092.00	SPRING COMPRESSION	1
009	46.03038.00	SUPPORT	1
010	46.03221.00	KIT LEVER SPEED	1
011	46.03223.00	CONTROL CABLE 1700 MM	1
012	46.03222.00	CONTROL CABLE 1800 MM	1
013	49.03079.00	GUARD 3X129X161 4 SPEEDS	1
014	46.00325.01	KNOB D50X79 5 SPEEDS	1
015	46.03220.00	SET	1

03. TRANSMISSION

GEARBOX (MAINSHAFT & ACCESSORIES) PART 4

CHASSIS: 63400

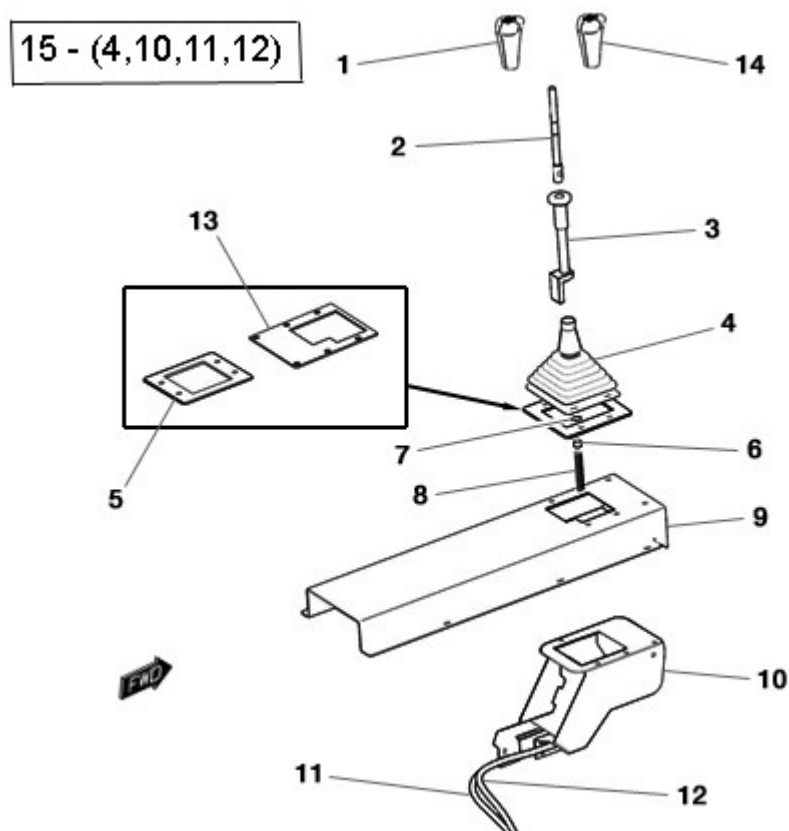


FIGURE	REFERENCE	DENOMINATION	AMOUNT
001	49.03078.00	KNOB D50X79 4 SPEEDS	1
002	46.03039.01	AXLE CAS/ROS	1
003	46.03091.01	TUBE, METALLIC Ø16xØ12.25x200	1
004	46.03224.00	RUBBER DUST PROTECTOR	1
005	46.03077.00	GUARD 4X140X140 5 SPEEDS	1
006	940.01210.00	BUSHING 12x14x10 DIN 1494	1
007	911.01200.00	RING DIN9045 Ø12	1
008	46.03092.00	SPRING COMPRESSION	1
009	46.03038.01	SUPPORT	1
010	46.03221.01	KIT LEVER SPEED	1
011	46.03223.00	CONTROL CABLE 1700 MM	1
012	46.03222.00	CONTROL CABLE 1800 MM	1
013	49.03079.00	GUARD 3X129X161 4 SPEEDS	1
014	46.00325.01	KNOB D50X79 5 SPEEDS	1
015	46.03220.01	SET	1

03. TRANSMISSION

GEARBOX (MAINSHAFT & ACCESSORIES) PART 4

CHASSIS: 66721



FIGURE	REFERENCE	DENOMINATION	AMOUNT
001	49.03078.00	KNOB D50X79 4 SPEEDS	1
002	46.03039.01	AXLE CAS/ROS	1
003	46.03091.01	TUBE, METALLIC Ø16xØ12.25x200	1
004	46.03224.00	RUBBER DUST PROTECTOR	1
005	46.03077.01	transparent Protector	1
006	940.01210.00	BUSHING 12x14x10 DIN 1494	1
007	911.01200.00	RING DIN9045 Ø12	1
008	46.03092.00	SPRING COMPRESSION	1
009	46.03038.02	support	1
010	46.03221.01	KIT LEVER SPEED	1
011	46.03223.00	CONTROL CABLE 1700 MM	1
012	46.03222.00	CONTROL CABLE 1800 MM	1
013	49.03079.10	Transparent Protector 3x117x130	1
014	46.00325.01	KNOB D50X79 5 SPEEDS	1
015	46.03220.01	SET	1
016	02.32008.00	PLASTIC PLUG	2

03. TRANSMISSION

FRONT AXLE

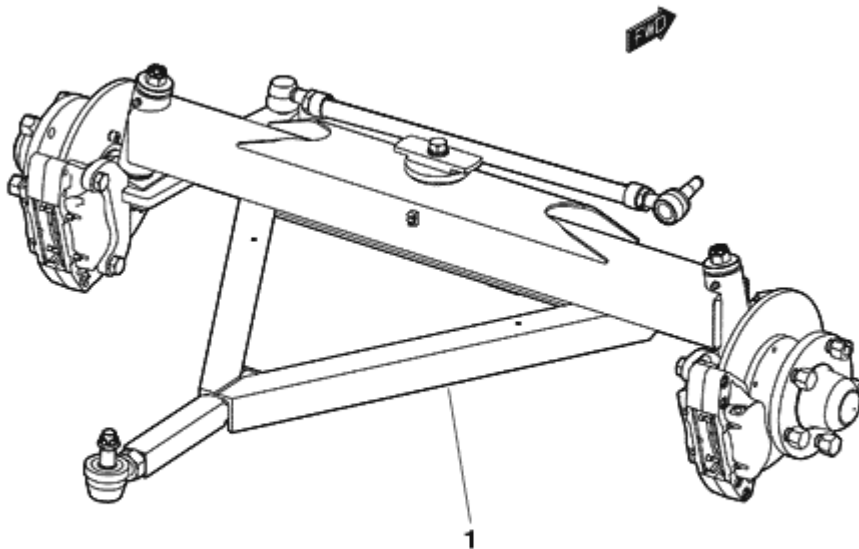


FIGURE	REFERENCE	DENOMINATION	AMOUNT
001	49.03050.00	SIMPLE AXLE	1

03. TRANSMISSION

FRONT AXLE (1)

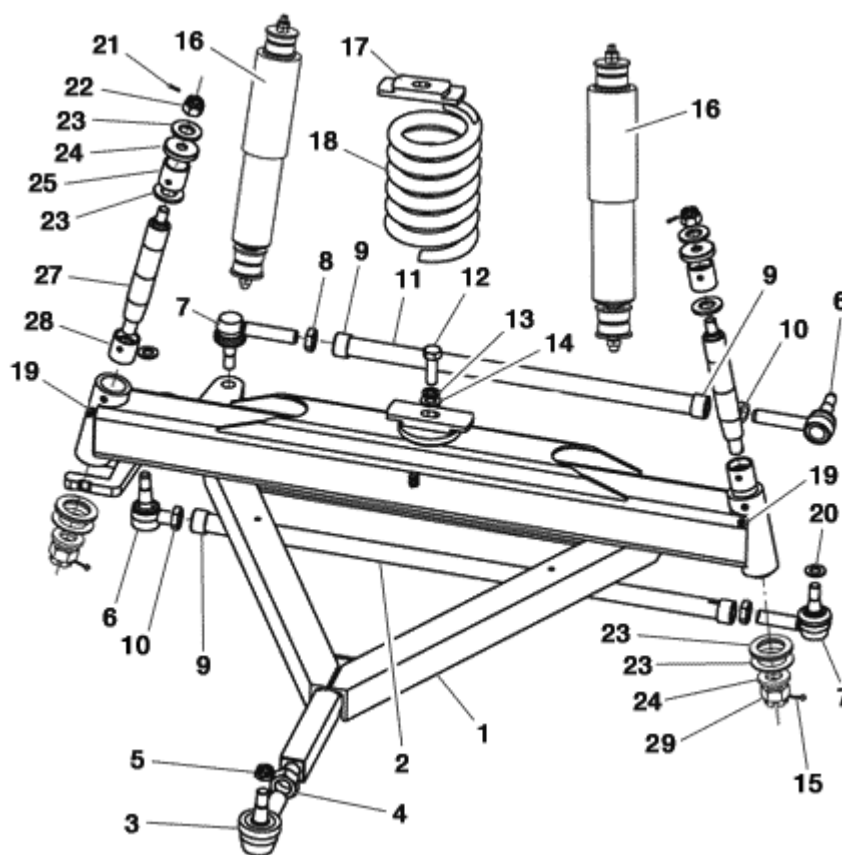


FIGURE	REFERENCE	DENOMINATION	AMOUNT
001	49.03053.00	STEERING AXLE	1
002	49.06018.00	STEERING ROD	1
003	16.01023.00	L BALL	1
004	708.24000.66	NUT	1
006	15.01017.00	L BALL	2
007	15.01018.00	L BALL	2
008	709.18000.66	NUT	2
009	15.01015.00	BUSH	4
010	15.01019.00	NUT	2
011	46.01013.00	STEERING ROD	1
012	603.14045.86	SCREW DIN933 M14x45	1
013	104.14000.00	CIR-CLIP EXT. DIN7980	1
014	101.14000.66	WASHER DIN125 D14	1
015	401.25030.60	PIN	2
016	46.02002.01	HYDR. DAMPER	2
017	46.06269.00	PRISIONERO MUELLE SUSPENSION	1
018	46.02001.00	SPRING COMPRESSION	1
019	902.08000.33	GREASER DIN71412-C	2

03. TRANSMISSION

FRONT AXLE (1)

FIGURE	REFERENCE	DENOMINATION	AMOUNT
020	101.14000.66	WASHER DIN125 D14	2
021	401.25030.60	PIN	2
022	710.14000.66	NUT	2
023	10.00633.00	WASHER DIN1441*	2
024	10.00634.00	CIR-CLIP EXT. DIN7980	4
025	327.30017.00	GASKET MET. BUNA	2
027	49.00623.00	AXLE CPA/CPA	2
028	331.30030.00	BEARING DIN 5429	2
029	01.01315.00	NUT	2

03. TRANSMISSION FRONT AXLE (2)

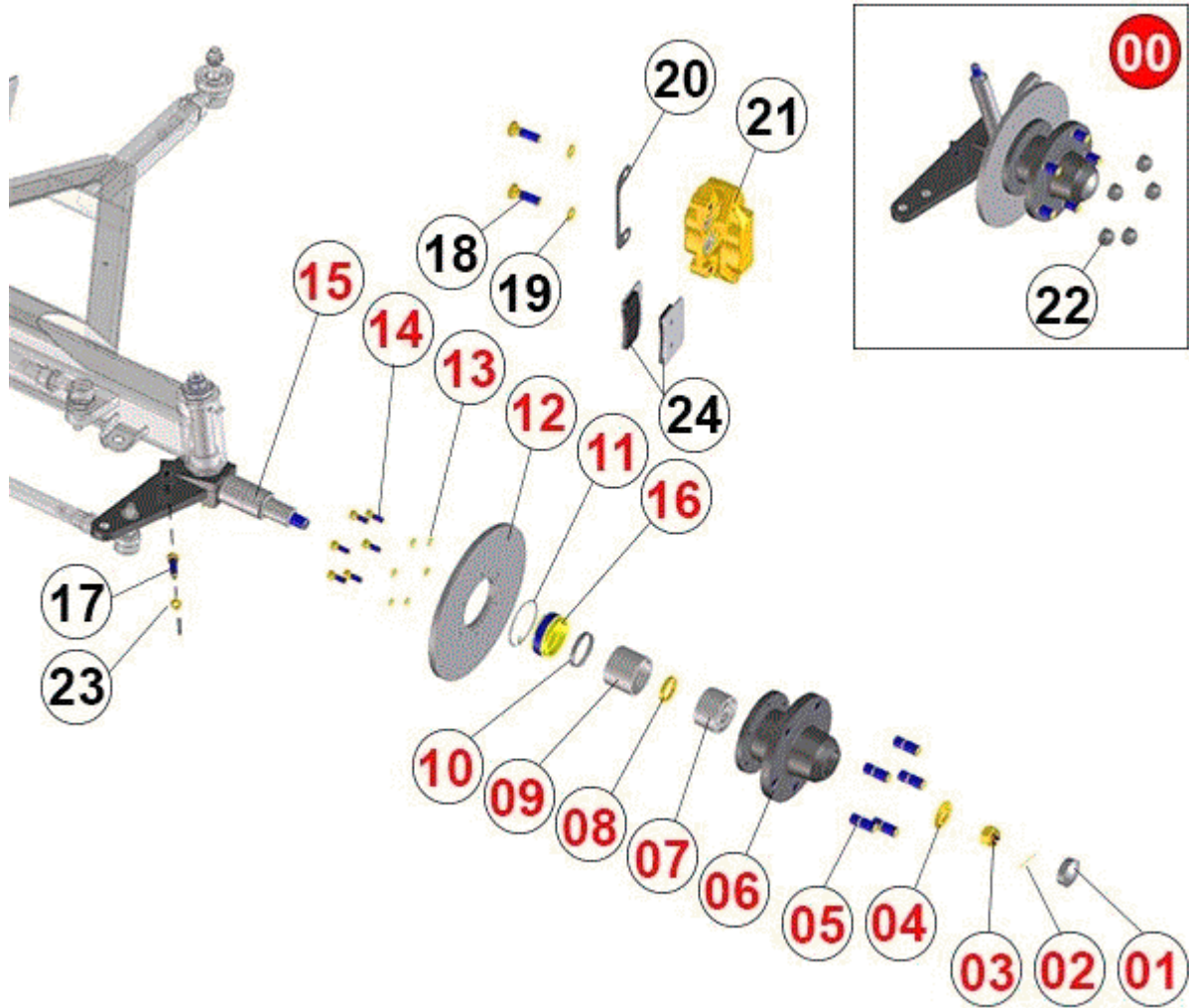


FIGURE	REFERENCE	DENOMINATION	AMOUNT
000	49.03052.00	RIGHT WHEEL HUB ASSY	1
001	00.05806.00	CAP	1
002	401.25040.60	PIN	1
003	01.01315.00	NUT	1
004	15.00368.00	WASHER DIN1440*	1
005	70.03414.00	STUD 47 M16X1,5	5
006	49.00550.00	WHEEL HUB	1
007	330.30038.00	ROLLING BEARING	1
008	39.10615.00	PANEL	1
009	49.00552.00	TUBE, METALLIC 61.5x55x48 CYL.	1
011	10.00560.00	RING 0,5 MM.	1
012	49.00551.00	DISK BRAKE	1
013	104.08000.00	WASHER DIN7980 D8	5
014	601.08022.86	SCREW DIN912	5
015	49.03153.00	RIGHT STUB AXLE 335X232X177	1
016	49.00553.00	NUT, WHEEL HUB M66x1,5x27	1

017	603.10040.86	BOLT DIN933 M10x40	1
018	604.14045.86	SCREW DIN931	2
019	104.14000.00	CIR-CLIP EXT. DIN7980	2
020	49.00410.00		1
021	49.05011.00	CLIP BRAKE	1
022	45.00588.00	NUT DIN982 M16x1,5	5
023	701.10000.66	NUT DIN934 M10x1.5	1
024	49.05030.00	BRAKE PAD RUBBING	2

03. TRANSMISSION FRONT AXLE (3)

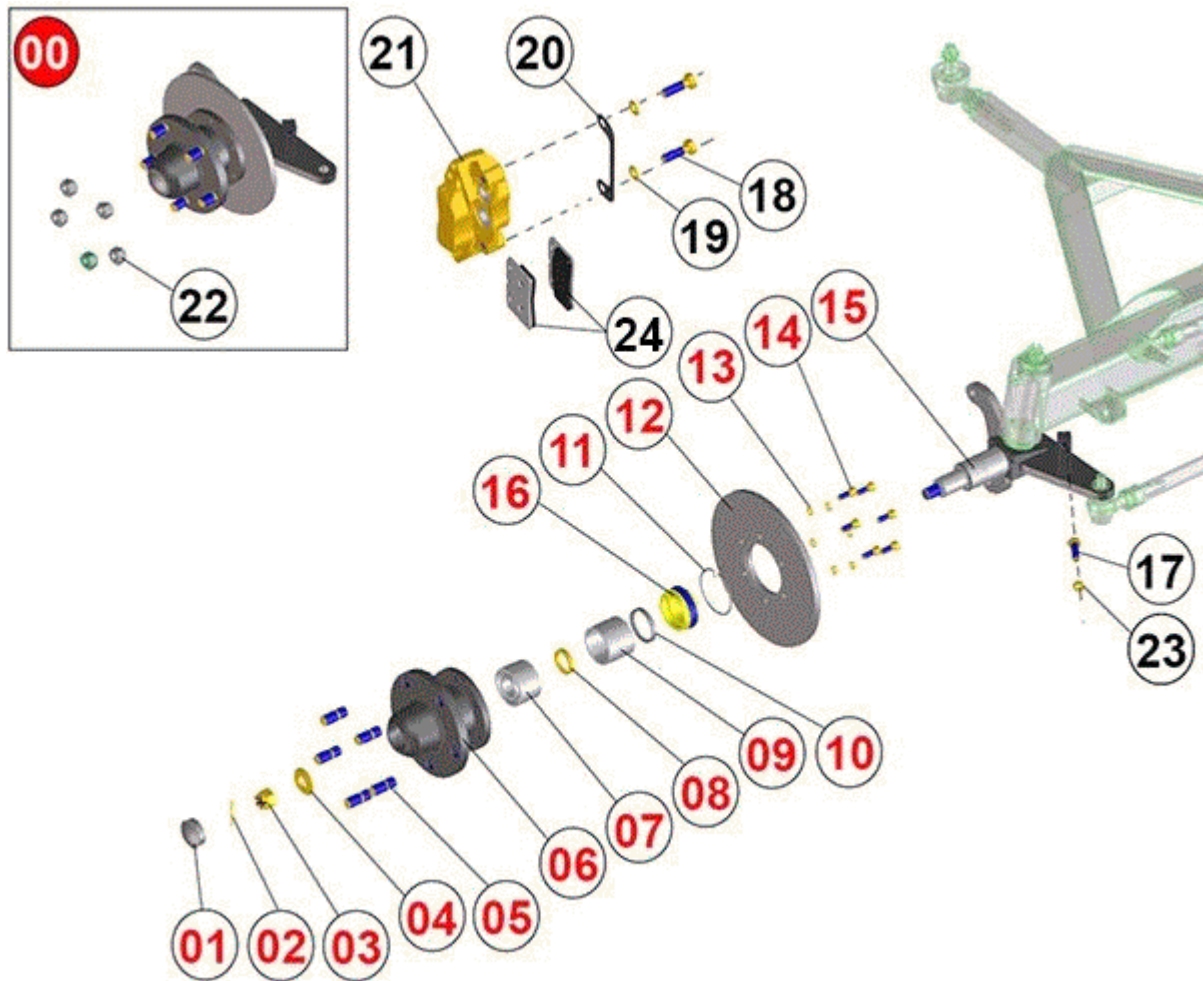


FIGURE	REFERENCE	DENOMINATION	AMOUNT
000	49.03051RE00		1
000	49.03051RE00		1
000	49.03051RE00		1
001	00.05806.00	CAP	1
002	401.25040.60	PIN	1
003	01.01315.00	NUT	1
004	15.00368.00	WASHER DIN1440*	1
005	70.03414.00	STUD 47 M16X1,5	5
006	49.00550.00	WHEEL HUB	1
007	330.30038.00	ROLLING BEARING	1
008	39.10615.00	PANEL	1
009	49.00552.00	TUBE, METALLIC 61.5x55x48 CYL.	1
011	10.00560.00	RING 0,5 MM.	1
012	49.00551.00	DISK BRAKE	1
013	104.08000.00	WASHER DIN7980 D8	5
014	601.08022.86	SCREW DIN912	5

015	49.03054.00	LEFT WHEEL HUB ASSY	1
016	49.00553.00	NUT, WHEEL HUB M66x1,5x27	1
017	603.10040.86	BOLT DIN933 M10x40	1
018	604.14045.86	SCREW DIN931	2
019	104.14000.00	CIR-CLIP EXT. DIN7980	2
020	49.00410.00		1
021	49.05012.00	CLIP BRAKE	1
021	49.05030.00	BRAKE PAD RUBBING	2
022	45.00588.00	NUT DIN982 M16x1,5	5
023	701.10000.66	NUT DIN934 M10x1.5	1

TRANSMISSION (REAR AXLE)

REAR AXLE

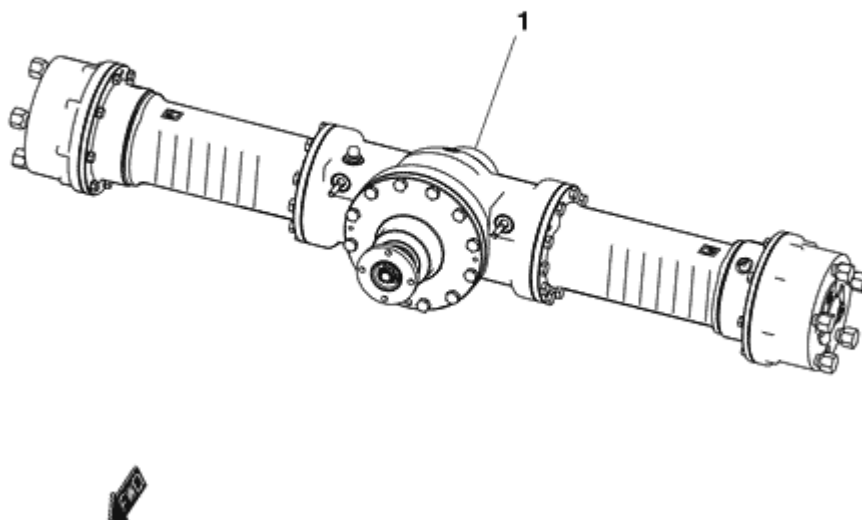


FIGURE	REFERENCE	DENOMINATION	AMOUNT
001	49.03130.00	REAR AXLE	1

TRANSMISSION (REAR AXLE) WHEEL HUB

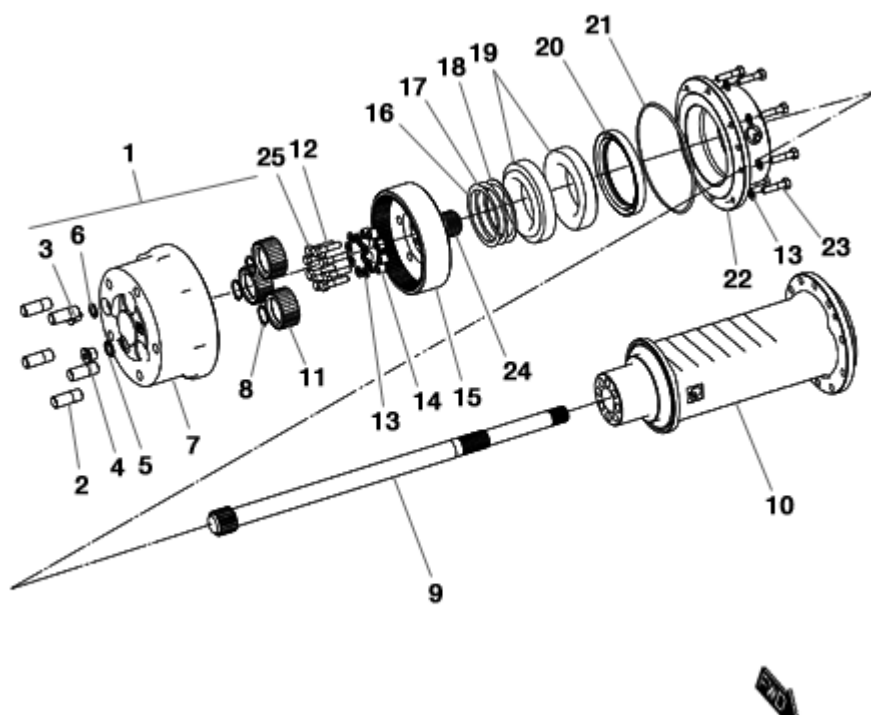


FIGURE	REFERENCE	DENOMINATION	AMOUNT
001	70.34160RE05	COMPLETE WHEEL HUB	1
002	70.03414.00	STUD 47 M16X1,5	5
003	10.00921.00	CAP M14X150 DIN908	1
004	60.00802.00	CAP	1
005	08.00317.00	METALLIC GASKET BUNA D3/8	1
006	107.14000.10	WASHER AL 14x20x1.5	1
007	70.03416.05	REDUCTION CASE	1
008	904.24000.00	RING DIN471 E24	3
009	70.03471.00	AXLE 563 Z20-Z20	1
010	49.03170.00	ASCLE HOUSING	1
011	12.03409.00	GEAR Z33	3
012	604.08035.96	BOLT DIN931 M8x35 12K	12
013	104.08000.00	WASHER DIN7980 D8	16
014	70.03461.00	BUSHING 8x13x11,3	8
015	70.03422.00	CROWN	1
016	10.16352.00	REGUL SKIM	1
017	10.16350.00	REGUL SKIM	1
018	10.16351.00	REGUL SKIM	1

**TRANSMISSION (REAR AXLE)
WHEEL HUB**

FIGURE	REFERENCE	DENOMINATION	AMOUNT
019	307.75025.00	BEARING	2
020	216.09512.50	SEAL	1
021	201.15125.50	O-RING DIN3770	1
022	70.03415.00	WHEEL HUB	1
023	604.08035.86	SCREW DIN931	7
024	70.03432.01	CYL/CYL AXLE D18X16	1
025	603.08025.96	SCREW	1

TRANSMISSION (REAR AXLE) CARTER DIFFÉRENTIEL

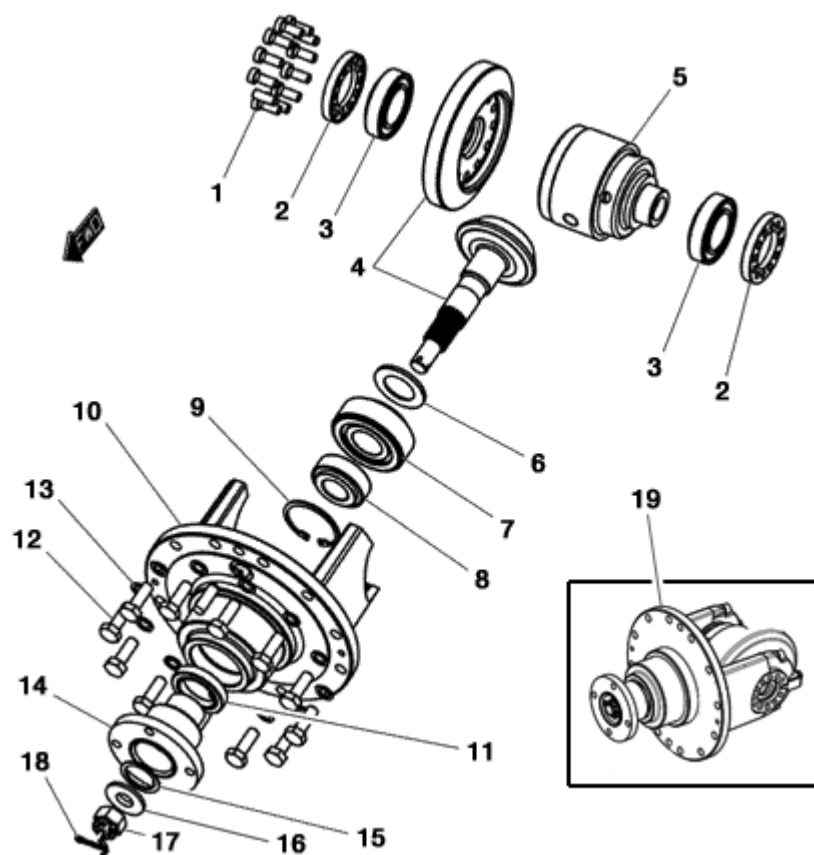


FIGURE	REFERENCE	DENOMINATION	AMOUNT
001	610.08020.96	HEXAGON SOCKET HEAD SCREW DIN6912 M8x20	10
002	70.03434.00	BEARING 9X64X64	2
003	307.35018.00	ROLLING BEARING	2
004	49.03420.00	CONICAL GEAR SET	1
005	70.03439RE00	COMPLETE DIFFERENTIAL	1
006	70.03438.00	WASHER Ø30,5x50x3	1
007	307.30029.00	BEARING DIN720 HM88500	1
008	307.25019.00	BEARING DIN720 32205-B	1
009	905.52000.00	RING 0,5 MM.	1
010	70.03410.00	GEAR SUPPORT 205X205X209	1
011	216.03510.50	SEAL	1
012	603.10030.86	SCREW DIN933	12
013	104.10000.00	WASHER DIN7980 D10	12
014	70.03320.00	CYL/CYL COUPLING 35X90X65	1
015	201.33025.50	O-RING DIN3770	1
016	70.03435.00	WASHER Ø16x38x5	1
017	710.16000.66	NUT	1
018	401.03040.60	PIN	1

TRANSMISSION (REAR AXLE) CARTER DIFFÉRENTIEL

FIGURE	REFERENCE	DENOMINATION	AMOUNT
019	49.03402.00	DIFFERENTIAL	1

TRANSMISSION (REAR AXLE)

CARTER DIFFÉRENTIEL

CHASSIS: 67456

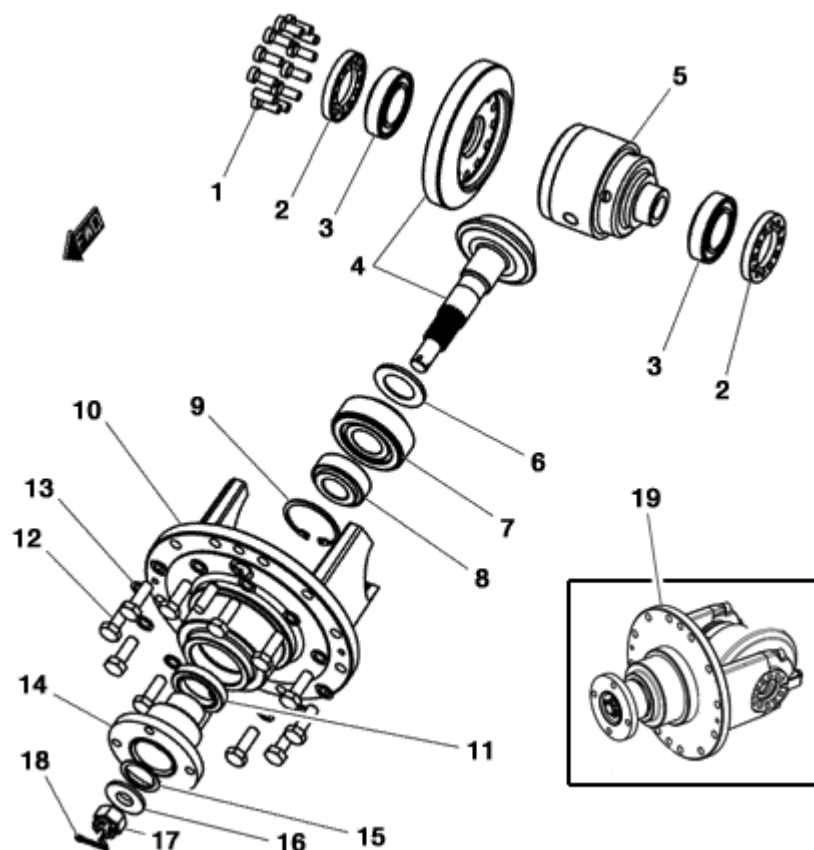


FIGURE	REFERENCE	DENOMINATION	AMOUNT
001	610.08020.96	HEXAGON SOCKET HEAD SCREW DIN6912 M8x20	10
002	70.03434.00	BEARING 9X64X64	2
003	307.35018.00	ROLLING BEARING	2
004	49.03420.00	CONICAL GEAR SET	1
005	70.03439RE00	COMPLETE DIFFERENTIAL	1
006	70.03438.01	WASHER. D30, 5X50X3	1
007	307.30029.01	DIN 720 323 BEARING	1
008	307.25019.00	BEARING DIN720 32205-B	1
009	905.52000.00	RING 0,5 MM.	1
010	70.03410.00	GEAR SUPPORT 205X205X209	1
011	216.03510.50	SEAL	1
012	603.10030.86	SCREW DIN933	12
013	104.10000.00	WASHER DIN7980 D10	12
014	70.03320.00	CYL/CYL COUPLING 35X90X65	1
015	201.33025.50	O-RING DIN3770	1
016	70.03435.00	WASHER Ø16x38x5	1
017	710.16000.66	NUT	1
018	401.03040.60	PIN	1

TRANSMISSION (REAR AXLE)**CARTER DIFFÉRENTIEL**

CHASSIS: 67456

FIGURE	REFERENCE	DENOMINATION	AMOUNT
019	49.03402.00	DIFFERENTIAL	1

TRANSMISSION (REAR AXLE) DIFFERENTIAL

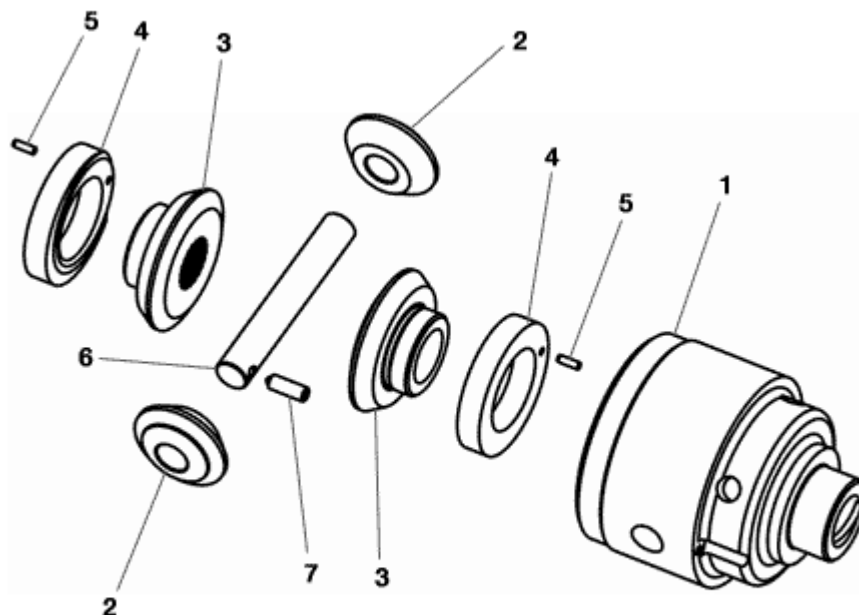


FIGURE	REFERENCE	DENOMINATION	AMOUNT
001	70.03439.00	DIFFERENTIAL HOUSING	1
002	70.03425.00	CONICAL GEAR Z10	2
003	70.03426.00	CONICAL GEAR Z16	2
004	70.03433.00	WASHER Ø35,5x57x10	2
005	403.08024.00	PIN DIN6325	2
006	70.03424.01	AXLE 'CYL/CYL'	1
007	636.08020.80	SCREW DIN915 M8x20	1

TRANSMISSION (REAR AXLE) BRAKE

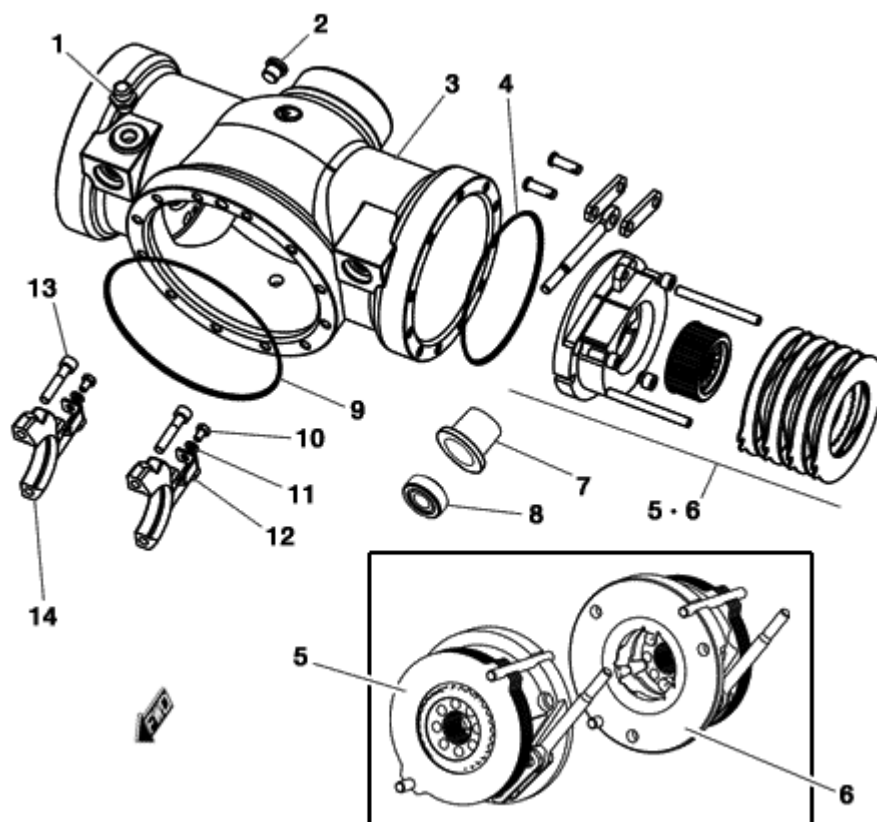


FIGURE	REFERENCE	DENOMINATION	AMOUNT
001	20.03104.00	CAP	1
002	80.01035.01	CAP	1
003	70.03476.00	DIFFERENTIAL CASE 205X210X341	1
004	201.16525.50	GASKET DIN3770 165X2.5	1
005	70.03445.00	RIGHT BRAKE AUSCO 3 DISCS	1
006	70.03446.00	LEFT BRAKE AUSCO 3 DISCS	1
008	202.00908.50	SEAL DIN3760	1
009	201.16525.50	GASKET DIN3770 165X2.5	1
010	603.06010.86	SCREW DIN933 M6x10	2
011	104.06000.00	WASHER DIN7980 D6	2
012	70.03437.00	FIXATION SUPPORT	2
013	601.08040.96	HEXAGON SOCKET HEAD SCREW DIN912 M8x40	4

TRANSMISSION (REAR AXLE) SUSPENSION



FIGURE	REFERENCE	DENOMINATION	AMOUNT
001	49.04030.00	ROCKER	2
002	49.04041.00	SUPPORT	2
003	604.14200.86	BOLT DIN931 M14x200	8
004	711.14000.66	NUT DIN982 M14 8.8 K	8
005	08.00107.02	BUTT	2
006	604.18120.86	SCREW DIN931 M18x120	6
007	46.04141.01	BEARING CYL. D18XD40X70	6
008	711.18000.66	NUT DIN982 M18	6
009	49.04042.00	SUPPORT	2
010	604.12035.86	SCREW DIN931 M12x35	10
011	49.04130.00	SUPPORT	2
012	711.12000.66	NUT DIN982 M12	10
013	70.04232.00	SUPPORT	4
014	46.04144.00	SUPPORT	4

03. TRANSMISSION

KARDAN JOINT

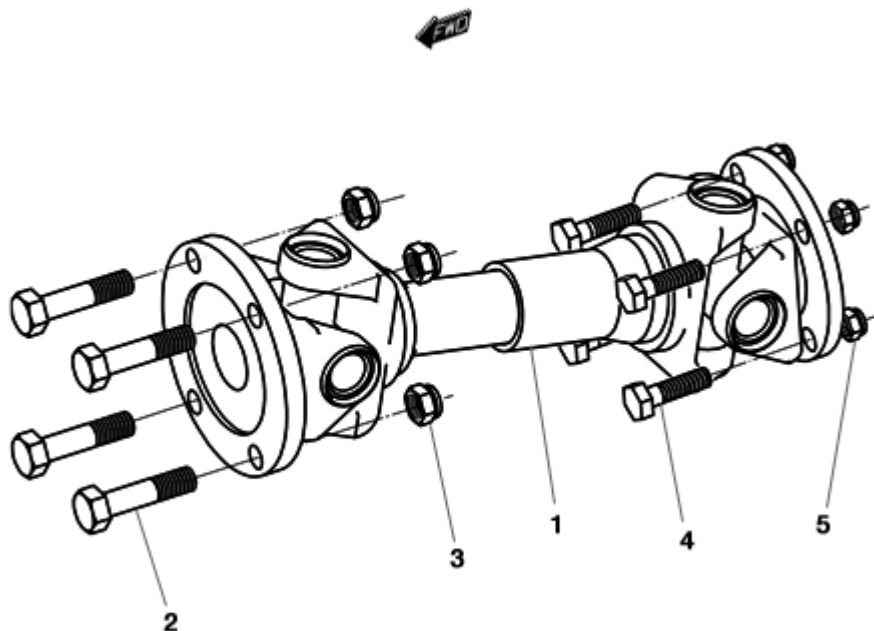


FIGURE	REFERENCE	DENOMINATION	AMOUNT
001	49.03062.00	PROPELLER SHAFT	1
002	604.10030.86	SCREW DIN931	4
003	711.10000.66	NUT DIN982 M10x1.5	4
004	604.08030.86	SCREW DIN931	4
005	711.08000.66	NUT DIN982 M8	4

03. TRANSMISSION CLUTCH (PART 1)

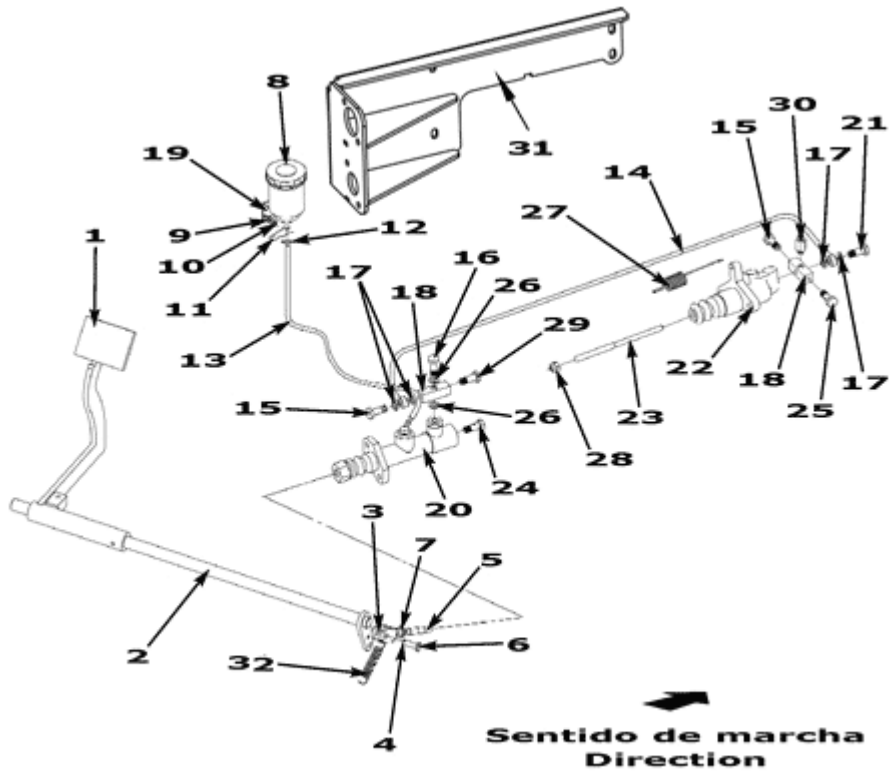


FIGURE	REFERENCE	DENOMINATION	AMOUNT
001	46.03240.00	CLUTCH PEDAL	1
002	46.03322.01	CONTROL LEVER	1
003	20.05040.00	ART. FORK	1
004	701.06000.66	NUT DIN934 M6X1	1
005	49.03012.00	ROD	1
006	01.00564.01	ART. FORK	1
007	401.02025.60	PIN DIN94 2x25	1
008	43.00751.01	BRAKING LIQUID TANK	1
009	104.06000.00	WASHER DIN7980 D6	2
009	104.06000.00	WASHER DIN7980 D6	2
010	701.06000.66	NUT DIN934 M6X1	2
010	701.06000.66	NUT DIN934 M6X1	2
011	43.07512.00	CLIP	1
011	43.07512.00	CLIP	1
012	948.00907.00	CLAMP SPRING D9	1
012	948.00907.00	CLAMP SPRING D9	1
013	469.15009.00	PLASTIC HOSE 6X9	1
013	469.15009.00	PLASTIC HOSE 6X9	1

03. TRANSMISSION CLUTCH (PART 1)

FIGURE	REFERENCE	DENOMINATION	AMOUNT
014	46.05026.00	HOSE FLEX.	1
014	46.05026.00	HOSE FLEX.	1
015	46.01065.01	FITTING SCREW SIMPLE M10x1	1
015	46.01065.01	FITTING SCREW SIMPLE M10x1	1
016	31.01065.00	NIPPLE SCREW SIM.	1
017	107.10000.10	WASHER AL	4
017	107.10000.10	WASHER AL	4
018	46.05064.00	FITTING O/H/H	1
018	46.05064.00	FITTING O/H/H	1
019	43.07511.00	TANK BRAKE SUPPORT	1
019	43.07511.00	TANK BRAKE SUPPORT	1
020	46.00747.20	BRAKE PUMP	1
021	46.05125.00	NIPPLE SCREW SIM.	1
021	46.05125.00	NIPPLE SCREW SIM.	1
022	46.03213.00	CYLINDER GEARBOX	1
022	46.03213.00	CYLINDER GEARBOX	1
023	46.03215.00	SPRING	1
023	46.03215.00	SPRING	1
024	80.01090.00	CAP	1
024	80.01090.00	CAP	1
025	01.00223.00	SPRING TENSION	1
026	107.12000.10	WASHER AL	4
027	46.03214.00	ROD	1
028	711.08000.66	NUT DIN982 M8	1
029	15.07780.00	SCREW DIN910*	1
029	15.07780.00	SCREW DIN910*	1
030	46.11083.00	PRESSURE SENSOR 15 BAR	1
032	01.00223.00	SPRING TENSION	1

03. TRANSMISSION

CLUTCH (PART 1)

CHASSIS: 52063

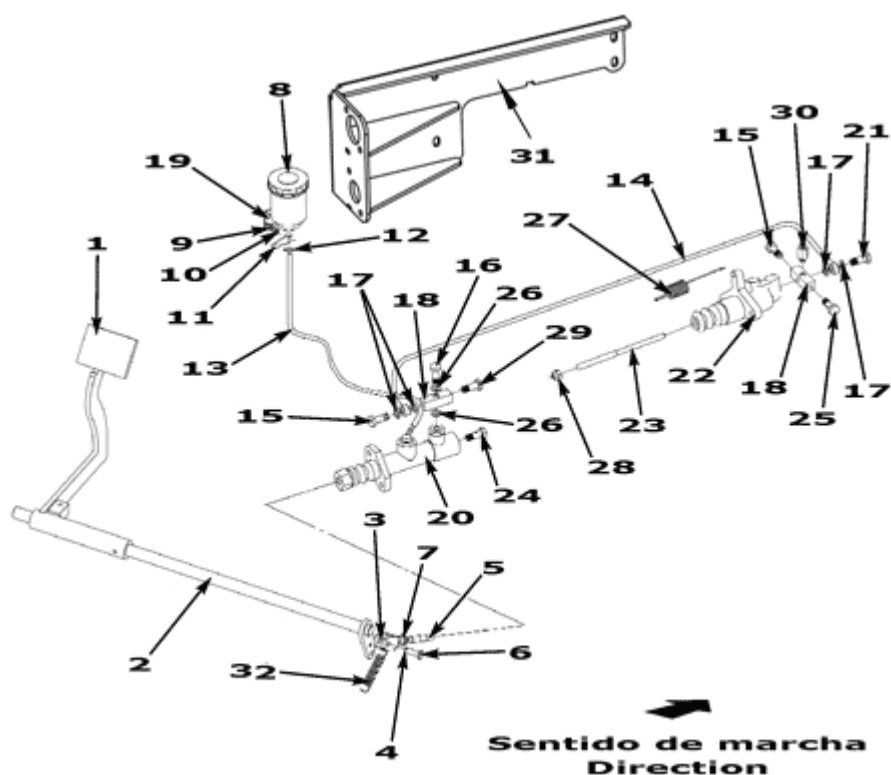


FIGURE	REFERENCE	DENOMINATION	AMOUNT
001	46.03240.00	CLUTCH PEDAL	1
002	46.03322.01	CONTROL LEVER	1
003	01.00564.01	ART. FORK	1
004	01.01304.00	NUT	1
005	49.05013.00	ROD	1
006	01.00564.01	ART. FORK	1
007	401.02025.60	PIN DIN94 2x25	1
008	43.00751.01	BRAKING LIQUID TANK	1
009	104.06000.00	WASHER DIN7980 D6	2
010	701.06000.66	NUT DIN934 M6X1	2
011	43.07512.00	CLIP	1
012	948.00907.00	CLAMP SPRING D9	1
013	469.15009.00	PLASTIC HOSE 6X9	1
014	46.05026.00	HOSE FLEX.	1
015	46.01065.01	FITTING SCREW SIMPLE M10x1	1
016	43.70757.00	NIPPLE SCREW SIM.	1
017	107.10000.10	WASHER AL	4
018	55.00758.01	NIPPLE	1

03. TRANSMISSION

CLUTCH (PART 1)

CHASSIS: 52063

FIGURE	REFERENCE	DENOMINATION	AMOUNT
019	43.07511.00	TANK BRAKE SUPPORT	1
020	46.05035.00	CLUTCH PUMP D22.22X35.5	1
021	43.70757.00	NIPPLE SCREW SIM.	1
022	46.03213.00	CYLINDER GEARBOX	1
023	46.03215.00	SPRING	1
024	80.01090.00	CAP	1
025	01.00223.00	SPRING TENSION	1
026	107.12000.10	WASHER AL	4
027	46.03214.00	ROD	1
028	711.08000.66	NUT DIN982 M8	1
029	15.07780.00	SCREW DIN910*	1
030	46.11083.00	PRESSURE SENSOR 15 BAR	1
031	49.05023.01	CLUTCH PUMP SUPPORT	1
032	01.00223.00	SPRING TENSION	1

03. TRANSMISSION

CLUTCH (PART 1)

CHASSIS: 60008

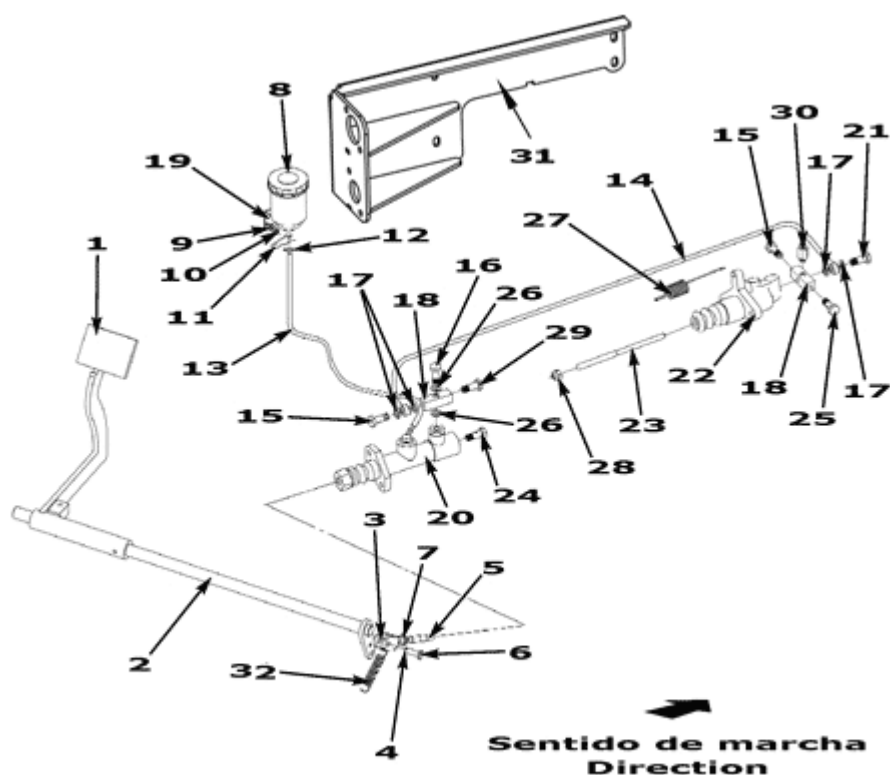


FIGURE	REFERENCE	DENOMINATION	AMOUNT
001	46.03240.00	CLUTCH PEDAL	1
002	46.03322.01	CONTROL LEVER	1
003	01.00564.01	ART. FORK	1
004	01.01304.00	NUT	1
005	49.05013.00	ROD	1
006	01.00564.01	ART. FORK	1
007	401.02025.60	PIN DIN94 2x25	1
008	43.00751.01	BRAKING LIQUID TANK	1
009	104.06000.00	WASHER DIN7980 D6	2
010	701.06000.66	NUT DIN934 M6X1	2
011	43.07512.00	CLIP	1
012	948.00907.00	CLAMP SPRING D9	1
013	469.15009.00	PLASTIC HOSE 6X9	1
014	46.05026.00	HOSE FLEX.	1
015	46.01065.01	FITTING SCREW SIMPLE M10x1	1
016	43.70757.00	NIPPLE SCREW SIM.	1
017	107.10000.10	WASHER AL	4
018	49.01064.00	RACORD O/H/H M10X1/8NPTF	1

03. TRANSMISSION

CLUTCH (PART 1)

CHASSIS: 60008

FIGURE	REFERENCE	DENOMINATION	AMOUNT
019	43.07511.00	TANK BRAKE SUPPORT	1
020	46.05035.00	CLUTCH PUMP D22.22X35.5	1
021	43.70757.00	NIPPLE SCREW SIM.	1
022	46.03213.00	CYLINDER GEARBOX	1
023	46.03215.00	SPRING	1
024	80.01090.00	CAP	1
025	01.00223.00	SPRING TENSION	1
026	107.12000.10	WASHER AL	4
027	46.03214.00	ROD	1
028	711.08000.66	NUT DIN982 M8	1
029	15.07780.00	SCREW DIN910*	1
030	46.11083.00	PRESSURE SENSOR 15 BAR	1
031	49.05023.01	CLUTCH PUMP SUPPORT	1
032	01.00223.00	SPRING TENSION	1

03. TRANSMISSION

CLUTCH (PART 1)

CHASSIS: 62577

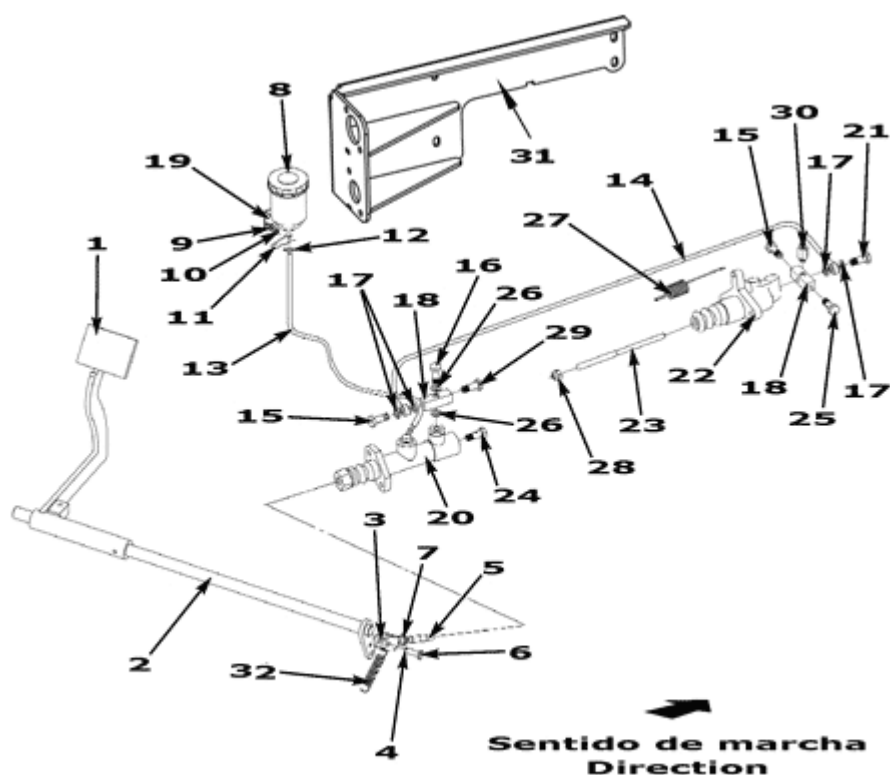


FIGURE	REFERENCE	DENOMINATION	AMOUNT
001	46.03240.00	CLUTCH PEDAL	1
002	46.03322.01	CONTROL LEVER	1
003	01.00564.01	ART. FORK	1
004	01.01304.00	NUT	1
005	49.05013.00	ROD	1
006	01.00564.01	ART. FORK	1
007	401.02025.60	PIN DIN94 2x25	1
008	43.00751.01	BRAKING LIQUID TANK	1
009	104.06000.00	WASHER DIN7980 D6	2
010	701.06000.66	NUT DIN934 M6X1	2
011	43.07512.00	CLIP	1
012	948.00907.00	CLAMP SPRING D9	1
013	469.15009.00	PLASTIC HOSE 6X9	1
014	46.05026.00	HOSE FLEX.	1
015	46.01065.01	FITTING SCREW SIMPLE M10x1	1
016	55.00757.20	NIPPLE SCREW SIM.	1
017	107.10000.10	WASHER AL	4
018	49.01064.00	RACORD O/H/H M10X1/8NPTF	1

03. TRANSMISSION

CLUTCH (PART 1)

CHASSIS: 62577

FIGURE	REFERENCE	DENOMINATION	AMOUNT
019	43.07511.00	TANK BRAKE SUPPORT	1
020	46.05035.01	CLUTCH FOOT PUMP D22.22X35.5	1
021	55.00757.20	NIPPLE SCREW SIM.	1
022	46.03213.00	CYLINDER GEARBOX	1
023	46.03215.00	SPRING	1
024	80.01090.00	CAP	1
025	01.00223.00	SPRING TENSION	1
026	107.12000.10	WASHER AL	4
027	46.03214.00	ROD	1
028	711.08000.66	NUT DIN982 M8	1
029	15.07780.00	SCREW DIN910*	1
030	46.11083.00	PRESSURE SENSOR 15 BAR	1
031	49.05023.01	CLUTCH PUMP SUPPORT	1
032	01.00223.00	SPRING TENSION	1

03. TRANSMISSION

CLUTCH (PART 1)

CHASSIS: 63853

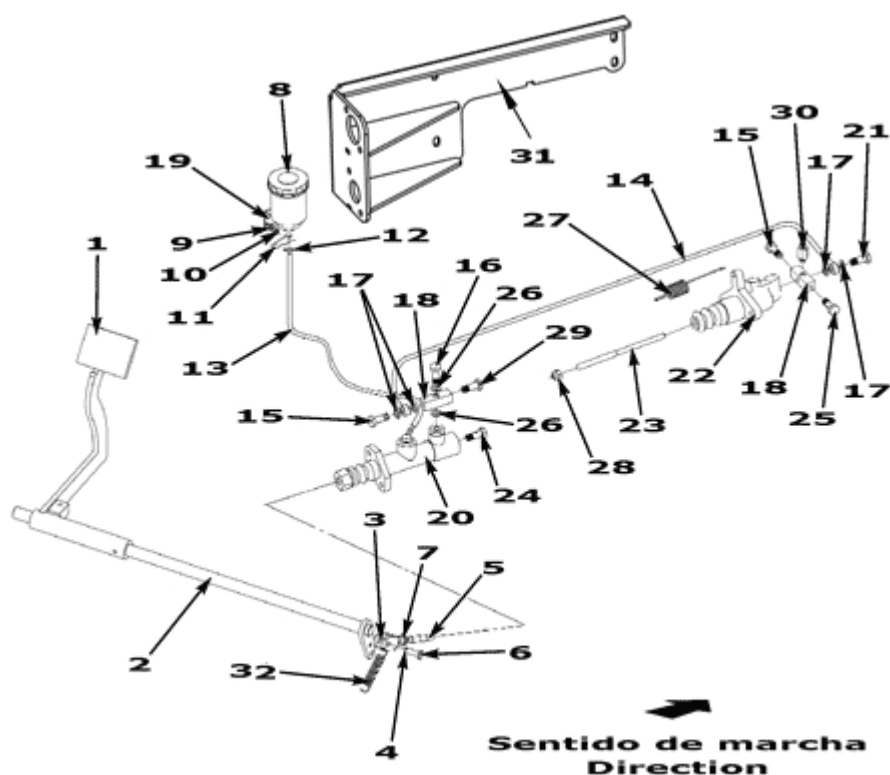


FIGURE	REFERENCE	DENOMINATION	AMOUNT
001	46.03240.00	CLUTCH PEDAL	1
002	46.03322.01	CONTROL LEVER	1
003	01.00564.01	ART. FORK	1
004	01.01304.00	NUT	1
005	49.05013.00	ROD	1
006	01.00564.01	ART. FORK	1
007	401.02025.60	PIN DIN94 2x25	1
008	43.00751.01	BRAKING LIQUID TANK	1
009	104.06000.00	WASHER DIN7980 D6	2
010	701.06000.66	NUT DIN934 M6X1	2
011	43.07512.00	CLIP	1
012	948.00907.00	CLAMP SPRING D9	1
013	469.15009.00	PLASTIC HOSE 6X9	1
014	46.05026.00	HOSE FLEX.	1
015	46.01065.01	FITTING SCREW SIMPLE M10x1	1
016	55.00757.20	NIPPLE SCREW SIM.	1
017	107.10000.10	WASHER AL	4
018	49.01064.00	RACORD O/H/H M10X1/8NPTF	1

03. TRANSMISSION

CLUTCH (PART 1)

CHASSIS: 63853

FIGURE	REFERENCE	DENOMINATION	AMOUNT
019	43.07511.00	TANK BRAKE SUPPORT	1
020	46.05035.01	CLUTCH FOOT PUMP D22.22X35.5	1
021	55.00757.20	NIPPLE SCREW SIM.	1
022	46.03213.00	CYLINDER GEARBOX	1
023	46.03215.00	SPRING	1
024	80.01090.00	CAP	1
025	01.00223.00	SPRING TENSION	1
026	107.12000.10	WASHER AL	4
027	46.03214.00	ROD	1
028	711.08000.66	NUT DIN982 M8	1
029	15.07780.00	SCREW DIN910*	1
030	46.11083.00	PRESSURE SENSOR 15 BAR	1
031	49.05023.02	SOP. FOOT BRAKE CLUTCH PUMP	1
032	01.00223.00	SPRING TENSION	1

03. TRANSMISSION

CLUTCH (PART 1)

CHASSIS: 69993

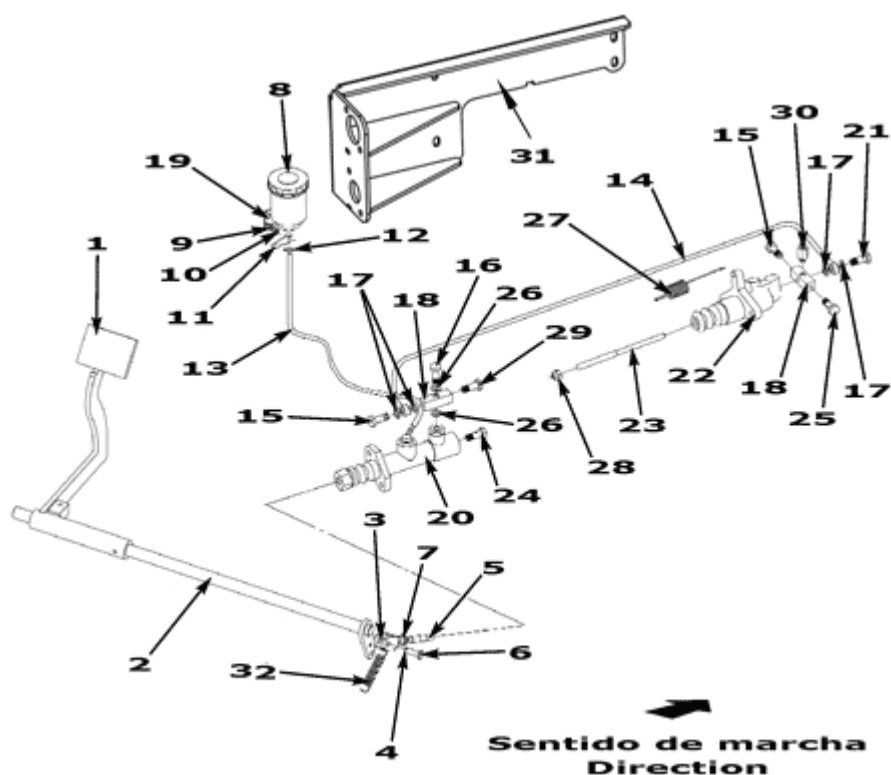


FIGURE	REFERENCE	DENOMINATION	AMOUNT
001	46.03240.00	CLUTCH PEDAL	1
002	46.03322.01	CONTROL LEVER	1
003	01.00564.01	ART. FORK	1
004	01.01304.00	NUT	1
005	49.05013.00	ROD	1
006	01.00564.01	ART. FORK	1
007	401.02025.60	PIN DIN94 2x25	1
008	43.00751.03	BRAKE FLUID TANK	1
009	104.06000.00	WASHER DIN7980 D6	2
010	701.06000.66	NUT DIN934 M6X1	2
011	43.07512.00	CLIP	1
012	948.00907.00	CLAMP SPRING D9	1
013	469.15009.00	PLASTIC HOSE 6X9	1
014	46.51203.00	BRAKE HOSE RIGHT	1
015	46.01065.01	FITTING SCREW SIMPLE M10x1	1
016	55.00757.20	NIPPLE SCREW SIM.	1
017	107.10000.10	WASHER AL	4
018	49.01064.00	RACORD O/H/H M10X1/8NPTF	1

03. TRANSMISSION

CLUTCH (PART 1)

CHASSIS: 69993

FIGURE	REFERENCE	DENOMINATION	AMOUNT
019	43.07511.00	TANK BRAKE SUPPORT	1
020	46.05035.01	CLUTCH FOOT PUMP D22.22X35.5	1
021	55.00757.20	NIPPLE SCREW SIM.	1
022	46.03213.00	CYLINDER GEARBOX	1
023	46.03215.00	SPRING	1
024	80.01090.00	CAP	1
025	01.00223.00	SPRING TENSION	1
026	107.12000.10	WASHER AL	4
027	46.03214.00	ROD	1
028	711.08000.66	NUT DIN982 M8	1
029	15.07780.00	SCREW DIN910*	1
030	46.11083.00	PRESSURE SENSOR 15 BAR	1
031	49.05023.02	SOP. FOOT BRAKE CLUTCH PUMP	1
032	01.00223.00	SPRING TENSION	1

03. TRANSMISSION CLUTCH (PART 2)

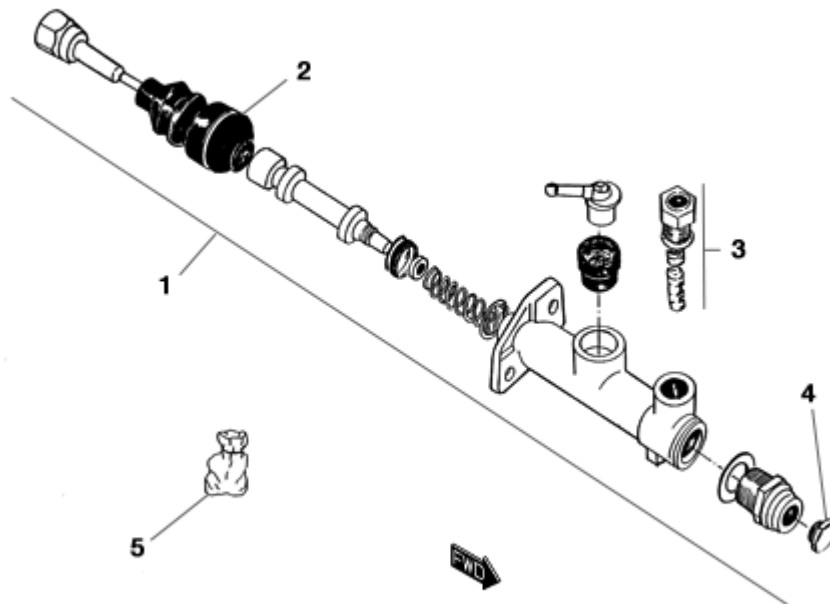


FIGURE	REFERENCE	DENOMINATION	AMOUNT
001	46.00747.20	BRAKE PUMP	1
002	43.00747.25	DUST EXCLUDER	1
003	43.00747.34	VALVE	1
004	15.07780.00	SCREW DIN910*	1
005	43.00747.90	GASKET SET	1

03. TRANSMISSION

CLUTCH (PART 2)

CHASSIS: 52063

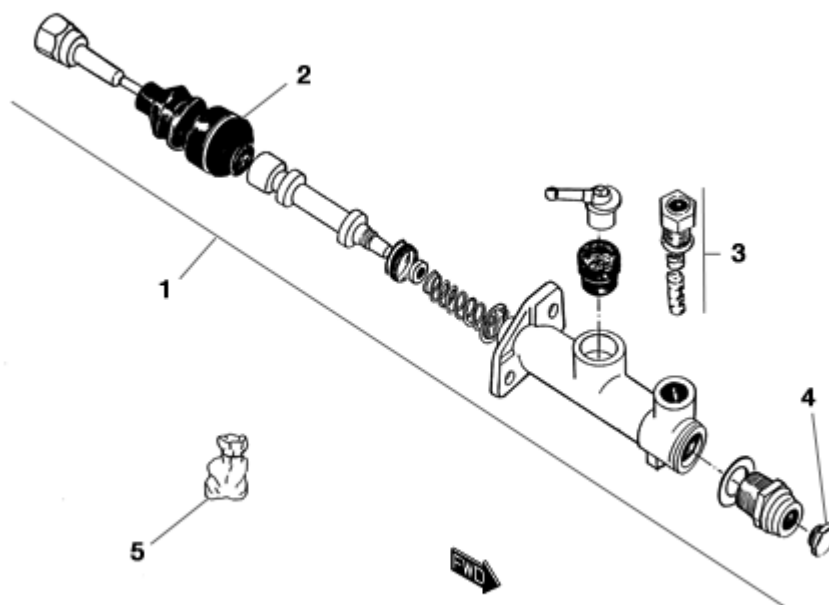


FIGURE	REFERENCE	DENOMINATION	AMOUNT
001	46.05035.00	CLUTCH PUMP D22.22X35.5	1
003	43.00747.34	VALVE	1
004	15.07780.00	SCREW DIN910*	1
005	43.00747.90	GASKET SET	1

ACCELERATOR

ACCELERATOR PEDAL

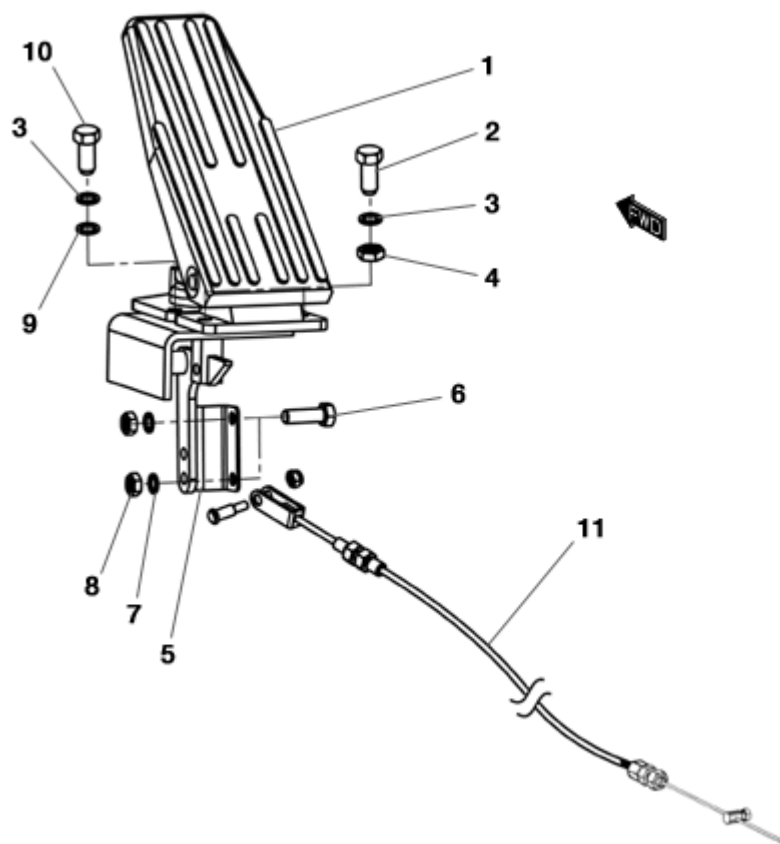


FIGURE	REFERENCE	DENOMINATION	AMOUNT
001	43.70127.00	ACCEL. PEDAL	1
001	43.70127.00	ACCEL. PEDAL	1
002	603.05015.86	SCREW DIN933	2
002	603.05015.86	SCREW DIN933	2
003	104.05000.00	WASHER DIN7980 D5	2
003	104.05000.00	WASHER DIN7980 D5	2
004	701.05000.66	NUT DIN934 M5x0.8	2
004	701.05000.66	NUT DIN934 M5x0.8	2
005	70.02053.00	SOP. PAS. FOR	1
005	70.02053.00	SOP. PAS. FOR	1
006	603.06020.86	SCREW DIN933 M6x20	2
007	104.05000.00	WASHER DIN7980 D5	2
008	711.06000.66	NUT DIN982 M6	2
009	101.05000.66	WASHER DIN125 D5	2
010	603.05020.86	SCREW DIN933 M5x20	2
011	10.06204.00	ACCEL. CABLE	1

04. CHASSIS

CHASSIS

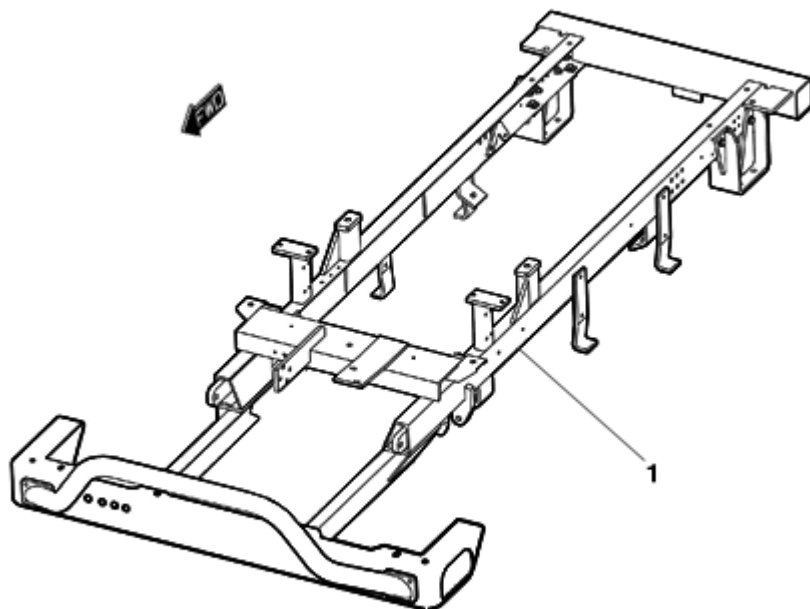


FIGURE	REFERENCE	DENOMINATION	AMOUNT
001	49.04010.00	FRAME	1
001	49.04010.01	FRAME 472x1500x3341	1
002	46.08300.00	BUMPER 250X312X1520	1

05. BRAKE ACTIVATION HANDBRAKE

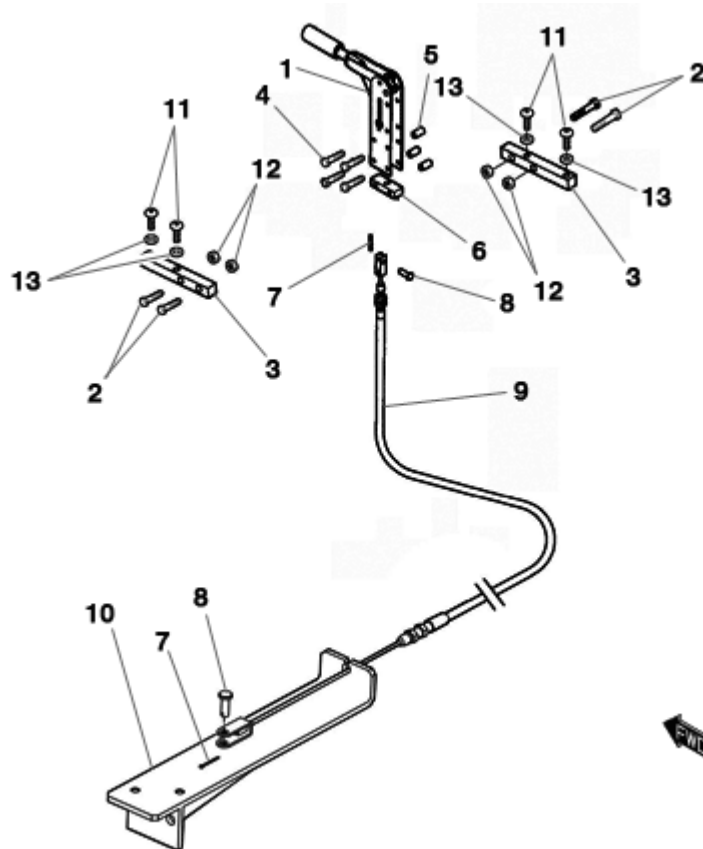


FIGURE	REFERENCE	DENOMINATION	AMOUNT
001	43.00755.01	CONTROL LEVER	1
002	603.06015.86	SCREW DIN933 M6x15	4
003	02.50551.00	FRAME MAT. 15X15X117 BRAKE	1
004	603.08070.86	SCREW DIN933	4
005	60.01926.00	RUBBER TOP 20X8.5 M6X165	3
006	43.00755.12	STRIP SUPPORT	1
007	401.02025.60	PIN DIN94 2x25	2
008	01.00514.02	AXLE CIL/CPA	2
009	49.05028.00	BRAKE CABLE 3,5X2200	1
010	49.05021.00		1
011	630.08020.96	SCREW ISO7380	4
012	701.08000.66	NUT DIN934 M8x1,25	4
013	104.08000.00	WASHER DIN7980 D8	4

OPERATION BRAKE BRAKE

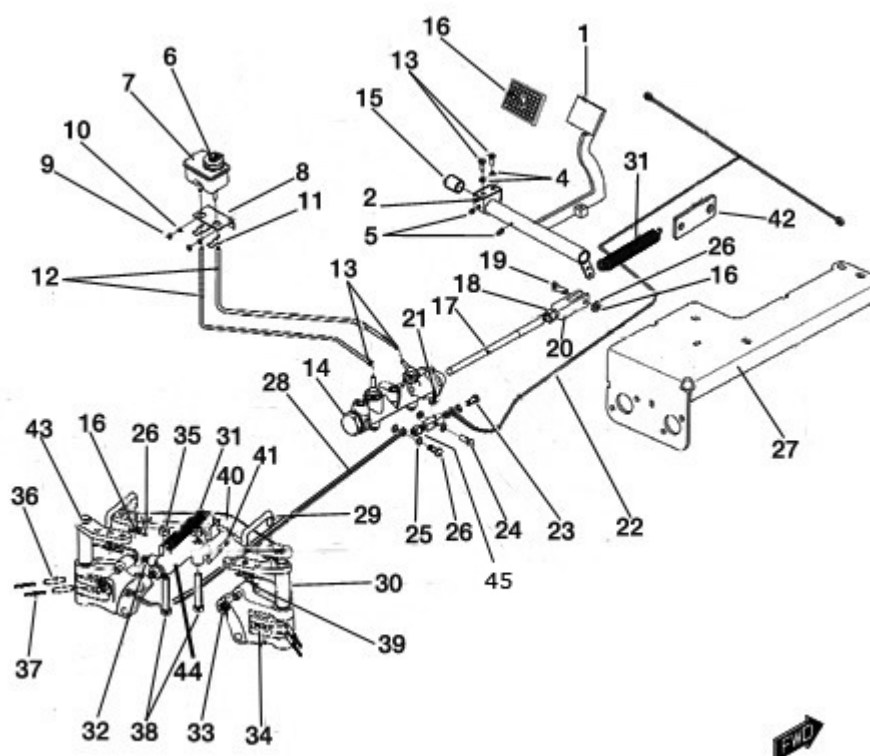


FIGURE	REFERENCE	DENOMINATION	AMOUNT
001	46.05010.10	BRAKE PEDAL	1
002	43.00736.00	SUPPORT ART.	1
003	603.08020.86	SCREW DIN933 M8x20	2
004	104.08000.00	WASHER DIN7980 D8	2
005	901.08000.33	GREASER DIN71412-A M8x1,25	2
006	46.05022.00	CAP	1
007	46.05020.00	BRAKE LIQUIDE TANK	1
008	46.05015.00	ANGULAR SUPPORT	1
009	701.06000.66	NUT DIN934 M6X1	2
010	104.06000.00	WASHER DIN7980 D6	2
011	45.05016.00	PIN	2
012	46.00749.01	TUBO PLAS. TRANS. 6x9x1550 FRE	2
013	948.01107.00	CLAMP SPRING	2
014	49.05014.00	BRAKE PUMP	1
015	923.18030.00	BEARING	1
016	101.08000.66	WASHER DIN125 D8	1
017	49.05013.00	ROD	1
018	01.01304.00	NUT	1

OPERATION BRAKE BRAKE

FIGURE	REFERENCE	DENOMINATION	AMOUNT
019	01.00514.02	AXLE CIL/CPA	1
020	01.00564.01	ART. FORK	1
020	01.00564.01	ART. FORK	1
021	46.05064.00	FITTING O/H/H	1
022	46.05019.00	BRAKE	1
023	46.01065.01	FITTING SCREW SIMPLE M10x1	1
024	20.05036.00	FITTING SCREW SIMPLE M10X1	2
025	107.10000.10	WASHER AL	6
025	107.10000.10	WASHER AL	6
026	401.02025.60	PIN DIN94 2x25	5
026	401.02025.60	PIN DIN94 2x25	5
027	49.05023.00	FOOT PUMP SUPPORT	1
027	49.05023.00	FOOT PUMP SUPPORT	1
028	46.05026.00	HOSE FLEX.	1
028	46.05026.00	HOSE FLEX.	1
029	12.05121.00	ROD	2
029	12.05121.00	ROD	2
030	49.05120.00	ACC.LEVER	1
030	49.05120.00	ACC.LEVER	1
031	60.00322.00	SPRING TENSION	2
031	60.00322.00	SPRING TENSION	2
032	12.05122.00	NIPPLE M/M	1
032	12.05122.00	NIPPLE M/M	1
033	701.08000.66	NUT DIN934 M8x1,25	2
033	701.08000.66	NUT DIN934 M8x1,25	2
034	112.08000.66	WASHER DIN9021 D8	2
034	112.08000.66	WASHER DIN9021 D8	2
035	711.08000.66	NUT DIN982 M8	2
035	711.08000.66	NUT DIN982 M8	2
036	402.35030.00	PIN	4
036	402.35030.00	PIN	4
037	402.06030.00	PIN	4
037	402.06030.00	PIN	4
038	604.08050.86	SCREW DIN931	2
038	604.08050.86	SCREW DIN931	2
039	603.08040.86	SCREW DIN933	2

OPERATION BRAKE BRAKE

FIGURE	REFERENCE	DENOMINATION	AMOUNT
039	603.08040.86	SCREW DIN933	2
040	49.05108.00	TIE ROD	1
041	20.05122.01	ROD STRAIGHT R10	1
042	02.14112.00	STRIP SUPPORT	1
043	49.05110.00	ACC.LEVER	1
044	12.05114.00	BRAKE PUMP	1

06. DIRECTION HYDRAULIC STEERING

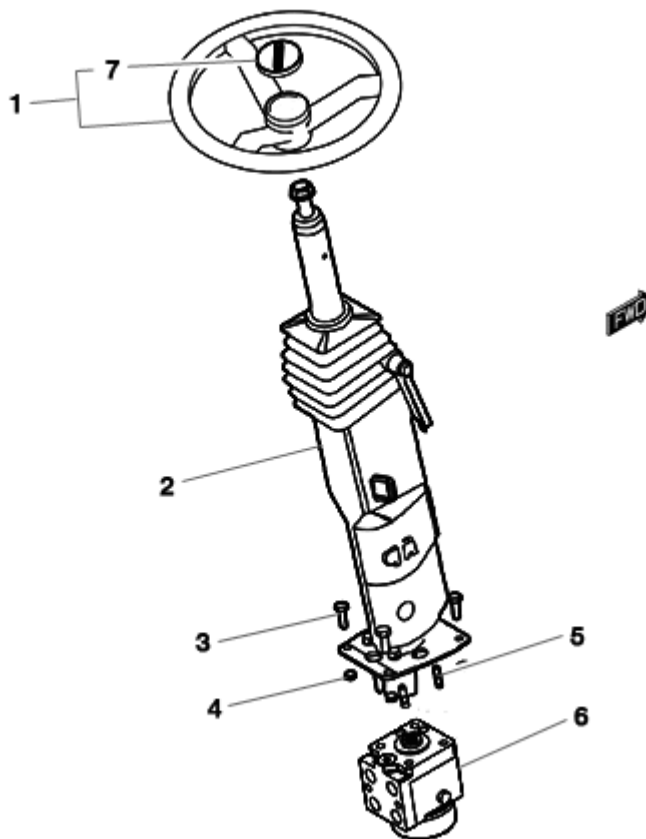


FIGURE	REFERENCE	DENOMINATION	AMOUNT
001	46.06356.00	STEERING WHEEL	1
002	46.06245.00	STEERING COLUMN	1
003	603.10030.86	SCREW DIN933	4
004	701.10000.66	NUT DIN934 M10x1.5	4
005	15.00435.01	STUD DIN938 33 M10x1.5	4
006	46.06021.00	STEERING VALVE	1
007	00.00626.03	TRIM	1

06. DIRECTION

HYDRAULIC STEERING

CHASSIS: 64313

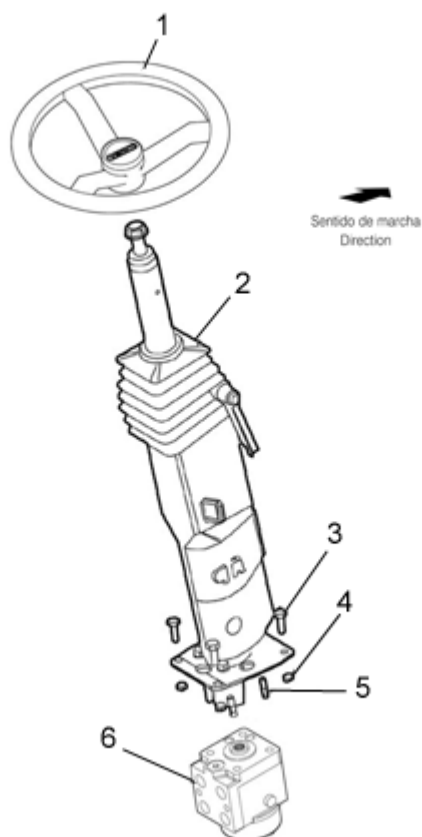


FIGURE	REFERENCE	DENOMINATION	AMOUNT
001	13.06131.00	ADDRESS FLYWHEEL D380X110 PP017	1
002	46.06245.00	STEERING COLUMM	1
003	603.10030.86	SCREW DIN933	4
004	701.10000.66	NUT DIN934 M10x1.5	4
005	15.00435.01	STUD DIN938 33 M10x1.5	4
006	46.06021.00	STEERING VALVE	1

06. DIRECTION

STEERING CYLINDER MOUNTING

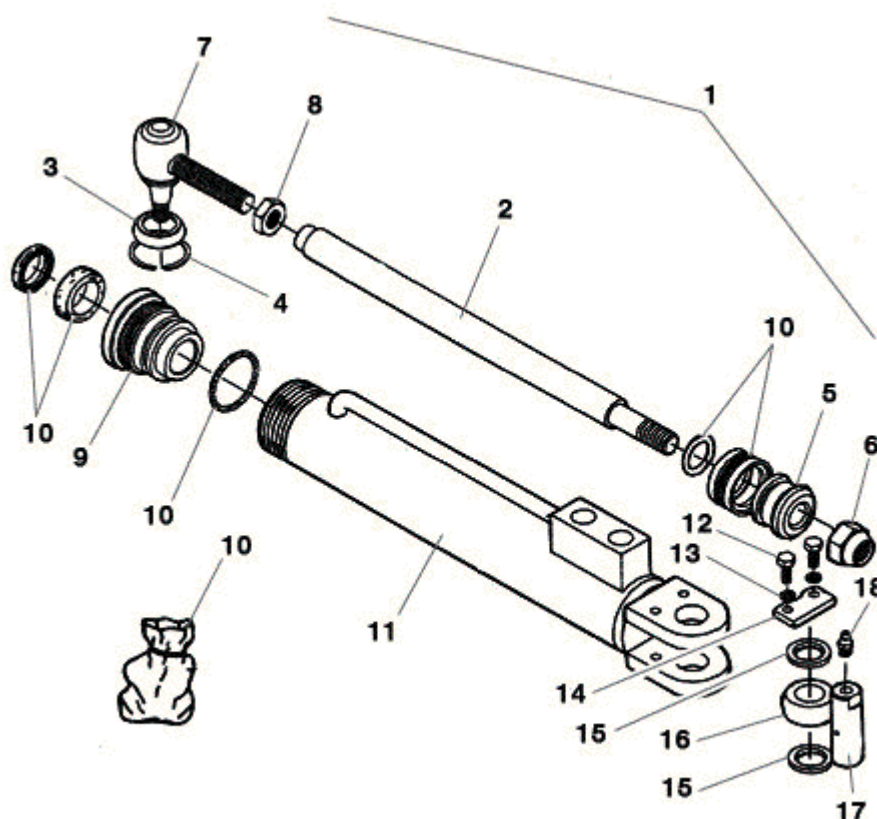


FIGURE	REFERENCE	DENOMINATION	AMOUNT
001	46.00670.03	CYLINDER D/E	1
002	46.00677.01	VASTAGO CILINDRO	1
003	01.00619.00	DUST EXCLUDER	1
004	01.06300.00	SPRING COMPRESSION	1
005	10.00675.02	PISTON	1
006	708.16000.66	NUT	1
007	01.00631.00	ROTULA DIRECCION DERECHA	1
008	01.01307.00	NUT	1
009	10.00676.01	TAPA GUIA	1
010	46.99670.03	GASKET SET	1
011	10.00671.03	TUBO CILINDRO	1
012	603.06015.66	SCREW DIN933	2
013	104.06000.00	WASHER DIN7980 D6	2
014	15.00832.00	PANEL	1
015	10.00684.00	WASHER DIN126*	2
016	913.20012.00	BUSHING	1
017	31.00622.00	SHAFT CIL/COA	1
018	901.08000.33	GREASER DIN71412-A M8x1,25	1

WHEEL
WHEEL

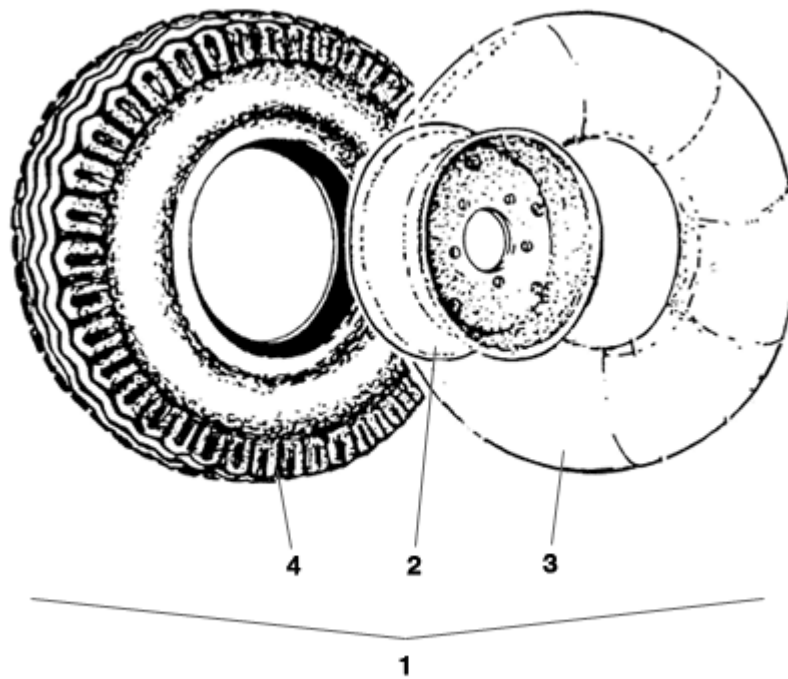


FIGURE	REFERENCE	DENOMINATION	AMOUNT
001	49.07010.00	MOUNTED WHEEL 10.0/80-12	4
002	49.07011.00	"RIM 12"" 7.00"	4
003	46.00922.00	TUBE	4
004	46.00921.00	TYRE LS	4

07. WHEEL

OPTIONAL REAR WHEELS



FIGURE	REFERENCE	DENOMINATION	AMOUNT
001	49.07010DE01	"RIGHT MOUNTED WHEEL 12"X6PR 11.0/65"	1
001	49.07010IZ01	"LEFT MOUNTED WHEEL 12"X6PR 11.0/65"	1
002	46.07011.00	WHEEL ASSY 225/75R17.5	2

BODY

SHOCK ABSORBER

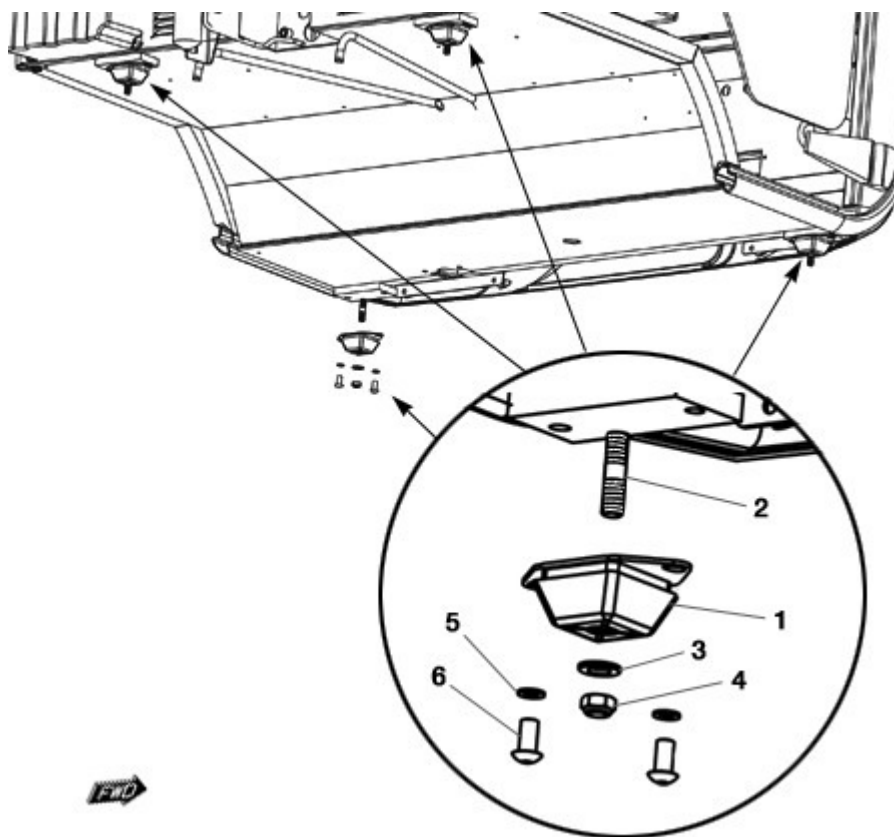


FIGURE	REFERENCE	DENOMINATION	AMOUNT
001	46.02060.00	SHOCK ABSORBER 38.5x60x120	4
002	15.00357.00	STUD DIN939 M12x1,75	4
003	101.10000.66	WASHER DIN125 D10	8
004	720.12000.66	NUT M12 DIN985 AUTOLOCKING	4
005	101.12000.66	WASHER DIN125 D12	4
006	630.10020.96	SCREW ISO7380 M10x20	8

08. BODYWORK

FRONT SIDE CABIN (PART 1)

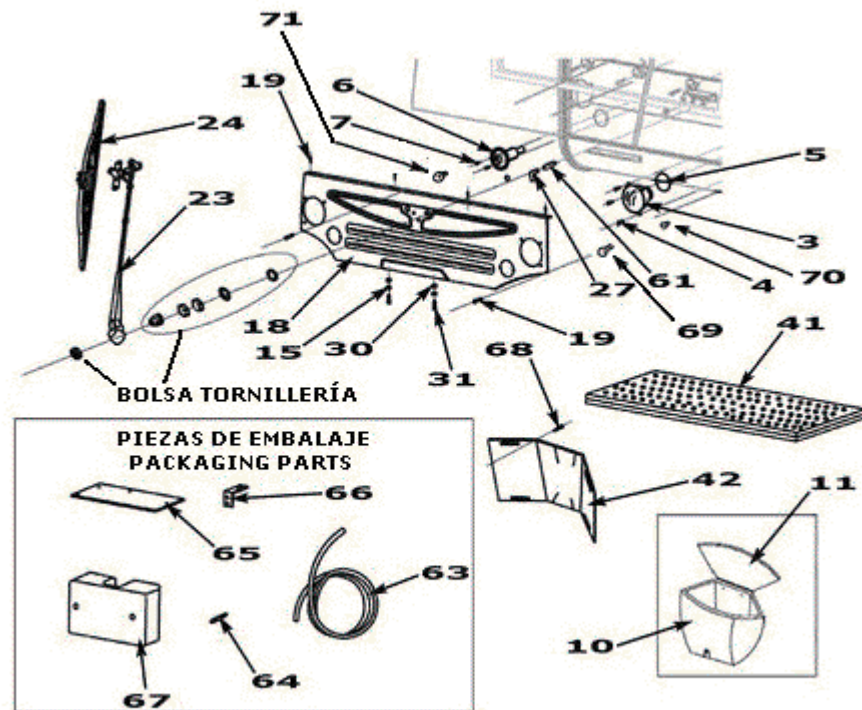


FIGURE	REFERENCE	DENOMINATION	AMOUNT
003	46.11022.00	RIGHT FRONT PHARE	1
003	46.11021.00	LEFT FRONT PHARE	1
004	46.08556.00	FIXING SUPPORT	6
004	46.08556.00	FIXING SUPPORT	6
005	46.08557.00	REINFORCEMENT 2X252X536	2
005	46.08557.00	REINFORCEMENT 2X252X536	2
006	46.11031.00	FRONT INTERMITTENT	2
006	46.11031.00	FRONT INTERMITTENT	2
007	46.08560.00	BOLT 4,2x16 DIN7504	4
010	46.08012.00	BOX	1
010	46.08012.00	BOX	1
011	46.08015.00	COVER	1
011	46.08015.00	COVER	1
015	46.82111.00	WASHER DIN125	12
018	46.08011.00	plastic cover 214X516.5X1390	1
019	46.08567.00	SCREW	5
023	MA.30043.00	WINDSCREEN WIPER ARM	1
024	46.08072.00		1

08. BODYWORK

FRONT SIDE CABIN (PART 1)

FIGURE	REFERENCE	DENOMINATION	AMOUNT
027	46.08602.00	FITTING	1
027	46.08602.00	FITTING	1
030	46.08575.00	PAW	6
030	46.08575.00	PAW	6
031	46.08576.00	SCREW	2
031	46.08576.00	SCREW	2
041	46.08017.01	CARPET	1
041	46.08017.01	CARPET	1
042	46.08580.00	UPHOLSTERY	1
042	46.08580.00	UPHOLSTERY	1
061	MA.30063.00	PIPE	1
061	MA.30063.00	PIPE	1
063	MA.30064.00	PIPE	1
063	MA.30064.00	PIPE	1
064	MA.10033.00	VALVE	1
064	MA.10033.00	VALVE	1
065	46.08622.00	COVER	1
066	MA.30065.00		1
067	46.08621.00	SCREEN WIPER PUMP TANK	1
068	46.08628.00	SEALER	1

08. BODYWORK

LATERAL MOUNTING

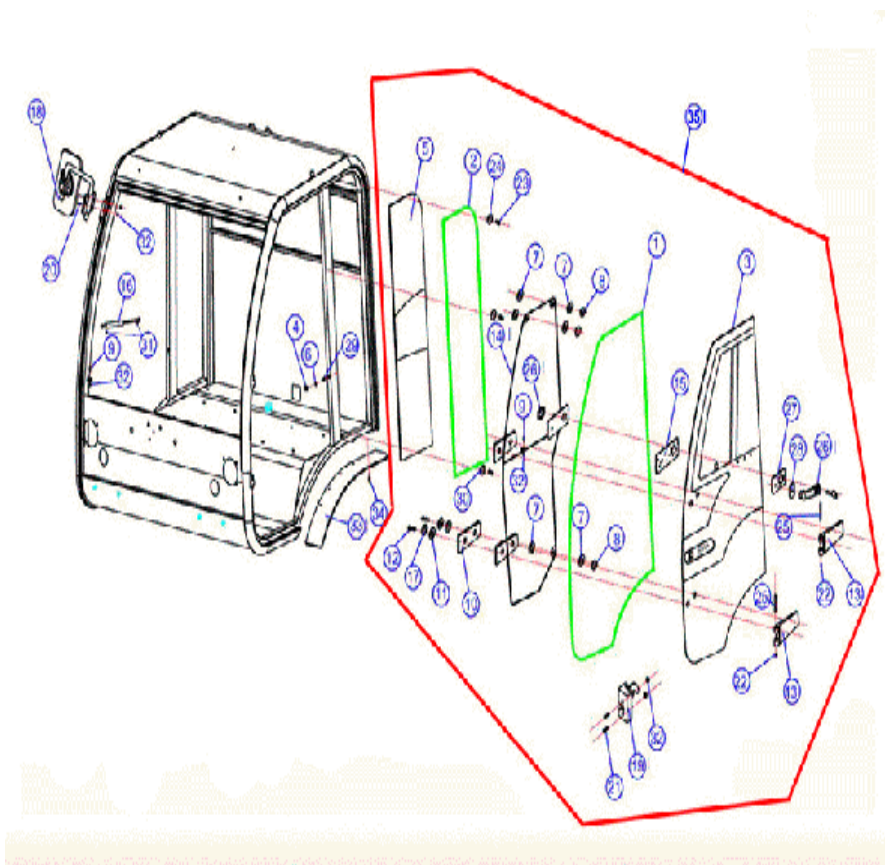


FIGURE	REFERENCE	DENOMINATION	AMOUNT
001	46.82043.00	RUBBER PROFILE	2
002	46.08501.00	CABIN RUBBER PROFILE (4.21 METERS)	2
003L	46.08503.00	LEFT DOOR GLASS M 250 H	1
003R	46.08502.00	RIGHT DOOR GLASS M 250 H	1
004	MA.20029.00	PROTECTOR	2
005L	46.08504.00	LEFT SIDE GLASS	1
005R	46.08505.00	RIGHT SIDE GLASS	1
006	113.12000.66	WASHER	2
007	46.82071.00	WASHER	12
008	46.82072.00	NUT M8	6
009	46.08506.00	KNUKLE	4
010	46.08507.00	RUBBER JOINT	8
011	46.82123.00	WASHER DIN125	8
012	46.08508.00	BOLT DIN933	8
013	46.08509.00	FEMALE PLASTIC HINGE	4
014L	46.08511.00	LEFT REINFORCEMENT ARCH WITH PROTECTOR	1
014R	46.08510.00	RIGHT REINFORCEMENT ARCH WITH PROTECTOR	1
015	MA.10053.00	RUBBER GASKET	2

08. BODYWORK

LATERAL MOUNTING

FIGURE	REFERENCE	DENOMINATION	AMOUNT
016	46.08512.00	SHOCK ABSORBER, CAB DOOR	2
017	46.08513.00	WASHER DIN6798 Ø8 CAB	8
018	MA.10021.00	DRIVING MIRROR	2
019L	46.08516.00	LEFT LOCK WITHOUT SECURE	1
019R	46.08515.00	RIGHT LOCK WITH SECURE	1
020	MA.30069.00	SCREW DIN933 M8X35	4
020	MA.30068.00		2
021	618.08040.86	SCREW DIN7991 M8x40/1,25	4
022	46.08518.00	WASHER, FIBER M6 STARLOCK	4
023	MA.10065.00	SCREW DIN7604	6
024	MA.10029.00	CAP	4
025	46.08519.00	PIN	4
026L	MA.10045.00	LEFT EXTERIOR LOCK WITH KEY	1
026R	MA.10046.00	HANDEL RIGHT SIDE WITHOUT KEY	1
027	MA.10051.00	RUBBER GASKET	2
028	MA.10052.00	RUBBER GASKET	2
029	MA.10015.00	AXLE CIL/CPL	2
029	MA.10015.00	AXLE CIL/CPL	2
030	46.08520.00	PLASTICO CAP	2
031	46.08521.00	RING	4
032	720.08000.66	NUT DIN985 M8 AUTOLOCKING	6
033L	49.08140.00	LEFT	4
033R	49.08141.00	RIGHT	1
034	MA.30072.00	SCREW DIN 7380 M6X2	12
035L	MA.30082.00	LEFT SIDE DOOR COMPLETE SET	1
035R	MA.30083.00	RIGHT SIDE DOOR COMPLETE SET	1

08. BODYWORK

REAR MOUNTING

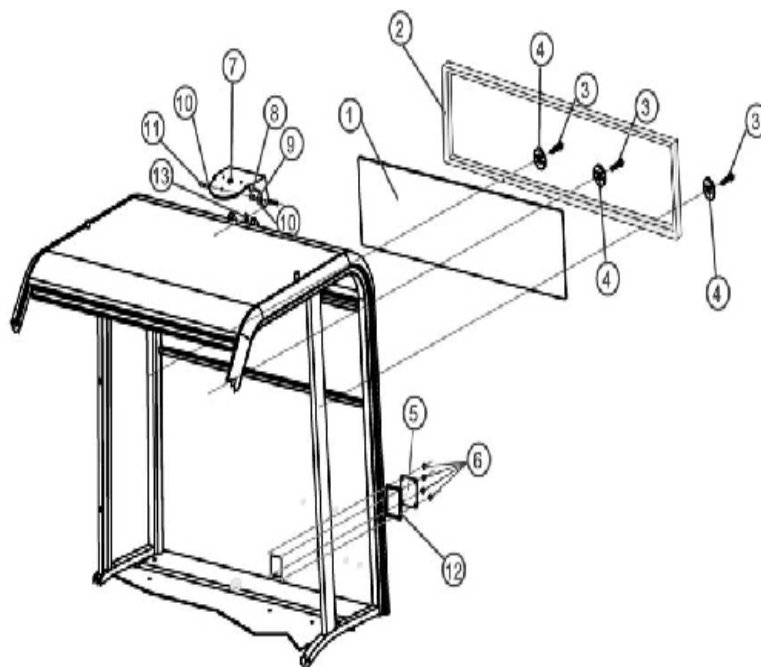


FIGURE	REFERENCE	DENOMINATION	AMOUNT
001	46.08541.00	CAB REAR GLASS	1
001	46.08541.00	CAB REAR GLASS	1
002	46.08501.00	CABIN RUBBER PROFILE (4.21 METERS)	1
002	46.08501.00	CABIN RUBBER PROFILE (4.21 METERS)	1
003	MA.30075.00	SCREW DIN966	3
003	MA.30075.00	SCREW DIN966	3
004	MA.10029.00	CAP	3
004	MA.10029.00	CAP	3
005	46.08543.00	COVER	1
005	46.08543.00	COVER	1
006	46.08544.00	NUT DIN1587 M6	6
006	46.08544.00	NUT DIN1587 M6	6
007	70.08106.00	SUPPORT 170x150x2	1
007	70.08106.00	SUPPORT 170x150x2	1
008	720.08000.66	NUT DIN985 M8 AUTOLOCKING	2
008	720.08000.66	NUT DIN985 M8 AUTOLOCKING	2
009	116.08000.00	WASHER DIN125 A D8	2
009	116.08000.00	WASHER DIN125 A D8	2

08. BODYWORK

REAR MOUNTING

FIGURE	REFERENCE	DENOMINATION	AMOUNT
010	112.08000.66	WASHER DIN9021 D8	2
010	112.08000.66	WASHER DIN9021 D8	2
011	603.08025.86	SCREW DIN933 M8x25	2
011	603.08025.86	SCREW DIN933 M8x25	2
012	MA.30076.00		1
012	MA.30076.00		1
013	MA.10025.00	CABLE GROMMET	1
013	MA.10025.00	CABLE GROMMET	1

08. BODYWORK TRIMMINGS

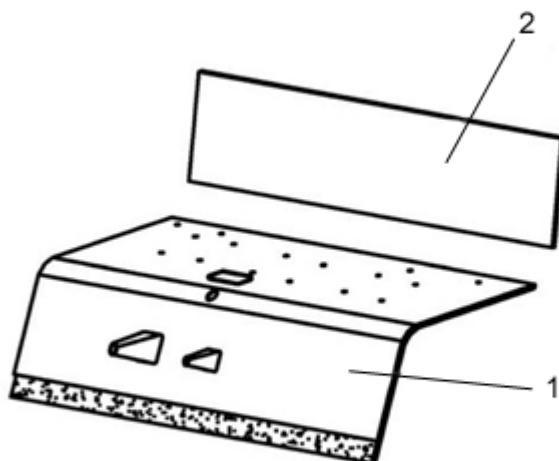


FIGURE	REFERENCE	DENOMINATION	AMOUNT
001	MA.30073.00	UNDERSEAT TRIMMING	1
002	MA.30074.00	REAR TRIMMING	1
002	MA.30074.00	REAR TRIMMING	1

08. BODYWORK

CHAUFFAGE

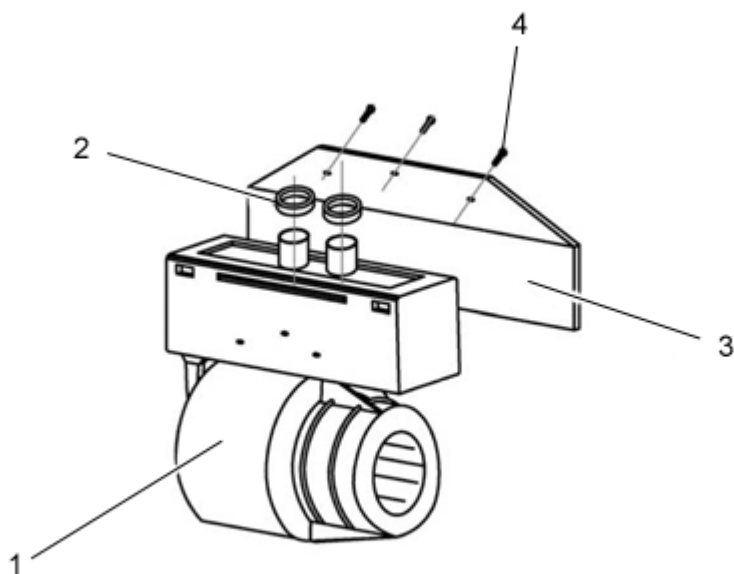


FIGURE	REFERENCE	DENOMINATION	AMOUNT
001	46.00370.00	HEATER	1
001	46.00370.00	HEATER	1
002	MA.30077.00	RUBBER PROFILE	2
003	MA.30078.00	HEATER FIXATION SUPPORT	1
004	MA.30079.00	SCREW DIN7984	3

08. BODYWORK

SEAT



FIGURE	REFERENCE	DENOMINATION	AMOUNT
001	43.00790.03	DRIVERS SEAT	1
002	13.08156.00	SAFETY BELT	1

08. BODYWORK

MUDGUARD

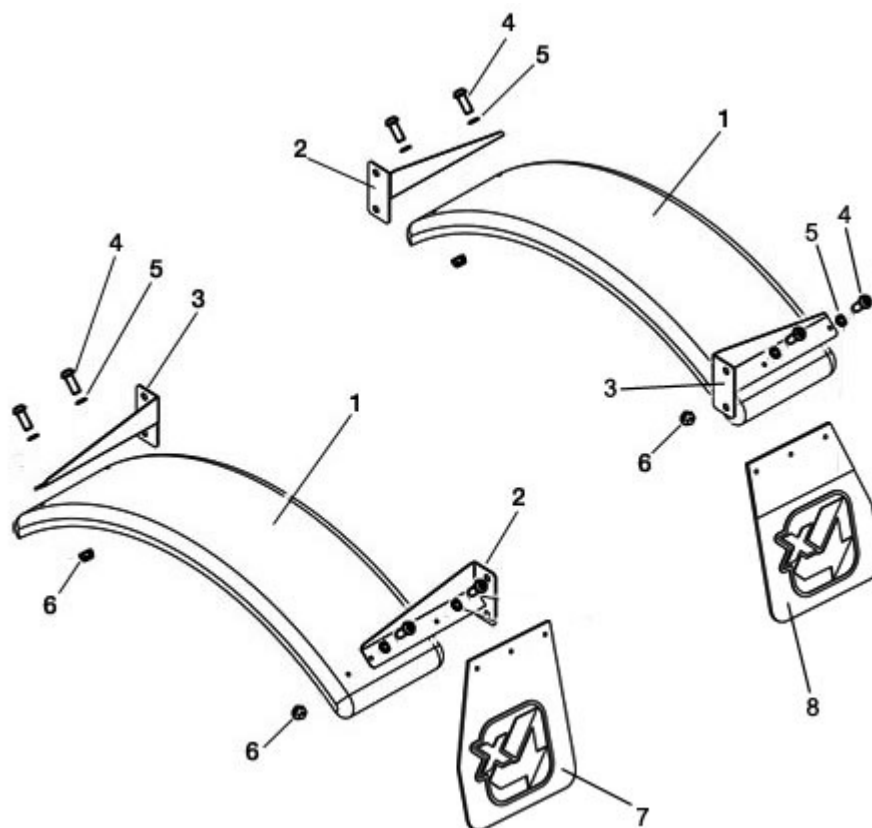


FIGURE	REFERENCE	DENOMINATION	AMOUNT
001	46.08024.00	MUDGUARD 245X860	2
002	46.08010.01	ANGULAR SUPPORT 53X113X303	2
003	46.08019.01	ANGULAR SUPPORT 53X113X303	2
004	630.06015.96	SCREW ISO7380 M6x15	8
005	101.06000.66	WASHER DIN125 D6	8
006	711.06000.66	NUT DIN982 M6	8
007	09.11831.01	GUARD	1
008	09.11829.01	GUARD	1

09. MACHINE OPERATION TOOLS

HOPPER CONTAINER HOLDER

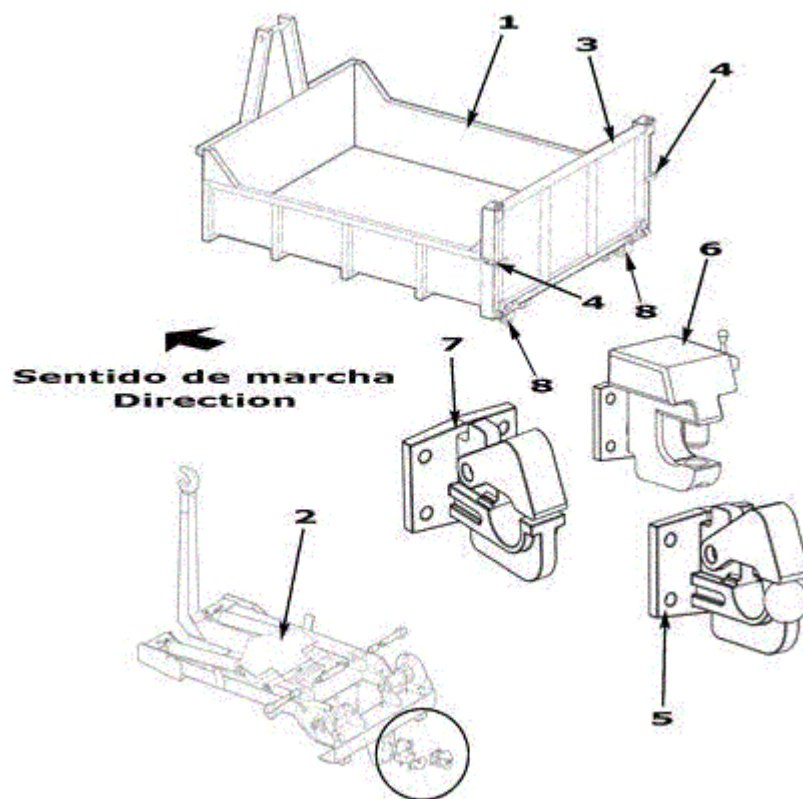


FIGURE	REFERENCE	DENOMINATION	AMOUNT
001	46.50722RE00	BOX 800X1500X1900	1
002	49.09061.00	ARM	1
004	46.00722.10	CIERRE	2
005	14.00792.00	HITCH ASSEMBLY	1
006	46.09645.00	TRAILER HITCH	1
007	14.00793.00	HITCH ASSEMBLY	1
007	14.00793.00	HITCH ASSEMBLY	1
008	46.07165RE00	COMPLETE ROLLER WITH AXLE	2

09. MACHINE OPERATION TOOLS

CHASSIS CONTAINER HOLDER

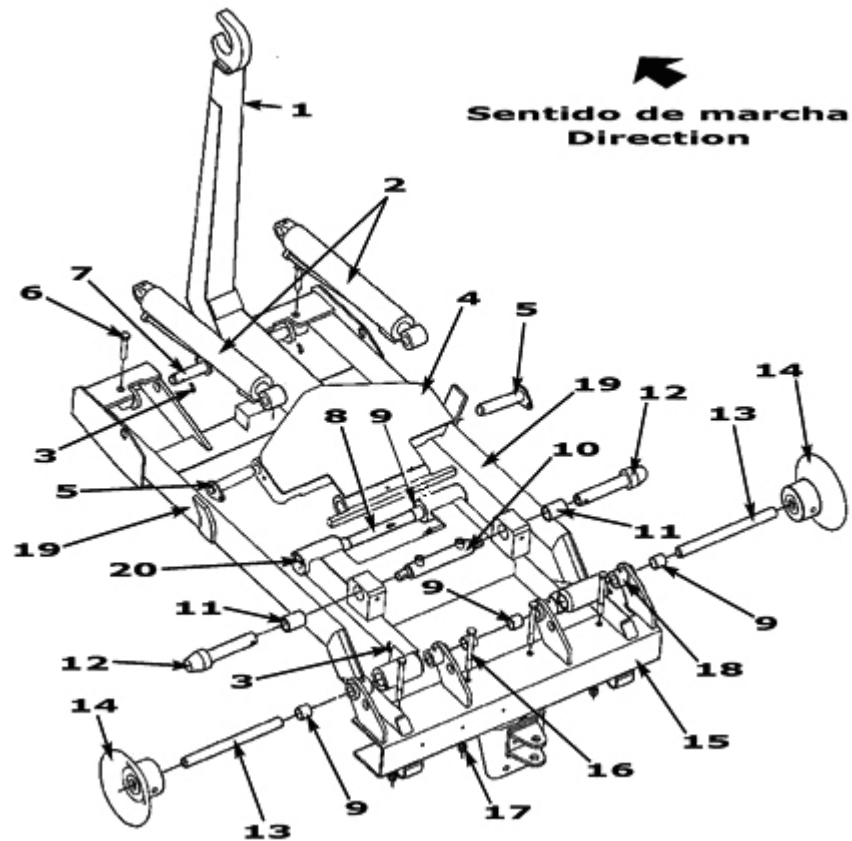


FIGURE	REFERENCE	DENOMINATION	AMOUNT
001	49.50300.00	COUPLING ARM	1
002	08.00500.09	CYLINDER D/E	2
003	903.08000.33	GREASER DIN71412-B	6
004	46.50314.00	SHEET SUPPLEMENT	1
005	17.09311.00	AXLE CYL/CYL 20X30X165	2
006	603.16080.86	BOLT DIN933 M16x80	2
007	17.09310.00	AXLE CYL/CYL 20X30X112	2
008	46.50509.00	SHAFT CIL/CIL	2
009	08.00527.00	BEARING	6
010	46.50104.01	CYLINDER D/E	1
011	923.35060.00	BEARING	2
012	46.50512.00	EJE	2
013	46.50115.00	*EJE	2
014	46.50120.00	*RODILLO	2
015	49.50602.00	FLANGE	1
016	604.14140.86	SCREW DIN931	4
017	711.14000.66	NUT DIN982 M14 8.8 K	4
019	49.50600.00	FRAME	1

09. MACHINE OPERATION TOOLS

CHASSIS CONTAINER HOLDER

FIGURE	REFERENCE	DENOMINATION	AMOUNT
020	49.50500.00	ARTICULATION COUPLING ASSEMBLY	1

09. MACHINE OPERATION TOOLS

CHASSIS CONTAINER HOLDER

CHASSIS: 66202

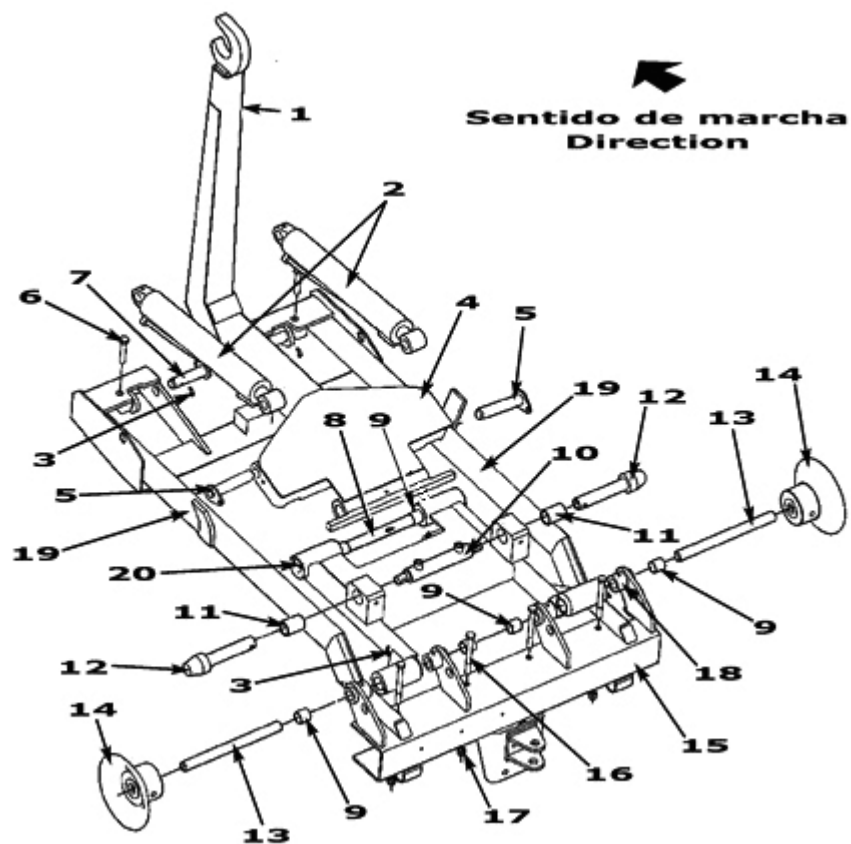


FIGURE	REFERENCE	DENOMINATION	AMOUNT
001	49.50300.00	COUPLING ARM	1
002	08.00500.09	CYLINDER D/E	2
003	903.08000.33	GREASER DIN71412-B	6
004	46.50314.00	SHEET SUPLEMENT	1
005	17.09311.00	AXLE CYL/CYL 20X30X165	2
006	603.16080.86	BOLT DIN933 M16x80	2
007	17.09310.00	AXLE CYL/CYL 20X30X112	2
008	46.50509.00	SHAFT CIL/CIL	2
009	08.00527.00	BEARING	6
010	46.50104.01	CYLINDER D/E	1
011	923.35060.00	BEARING	2
012	46.50512.00	EJE	2
013	46.50115.00	*EJE	2
014	46.50120.00	*RODILLO	2
015	49.50602.00	FLANGE	1
016	604.14140.86	SCREW DIN931	4
017	711.14000.66	NUT DIN982 M14 8.8 K	4
019	49.50600.01	FRAME	1

09. MACHINE OPERATION TOOLS

CHASSIS CONTAINER HOLDER

CHASSIS: 66202

FIGURE	REFERENCE	DENOMINATION	AMOUNT
020	49.50500.00	ARTICULATION COUPLING ASSEMBLY	1

09. MACHINE OPERATION TOOLS

CHASSIS CONTAINER HOLDER

CHASSIS: 72251

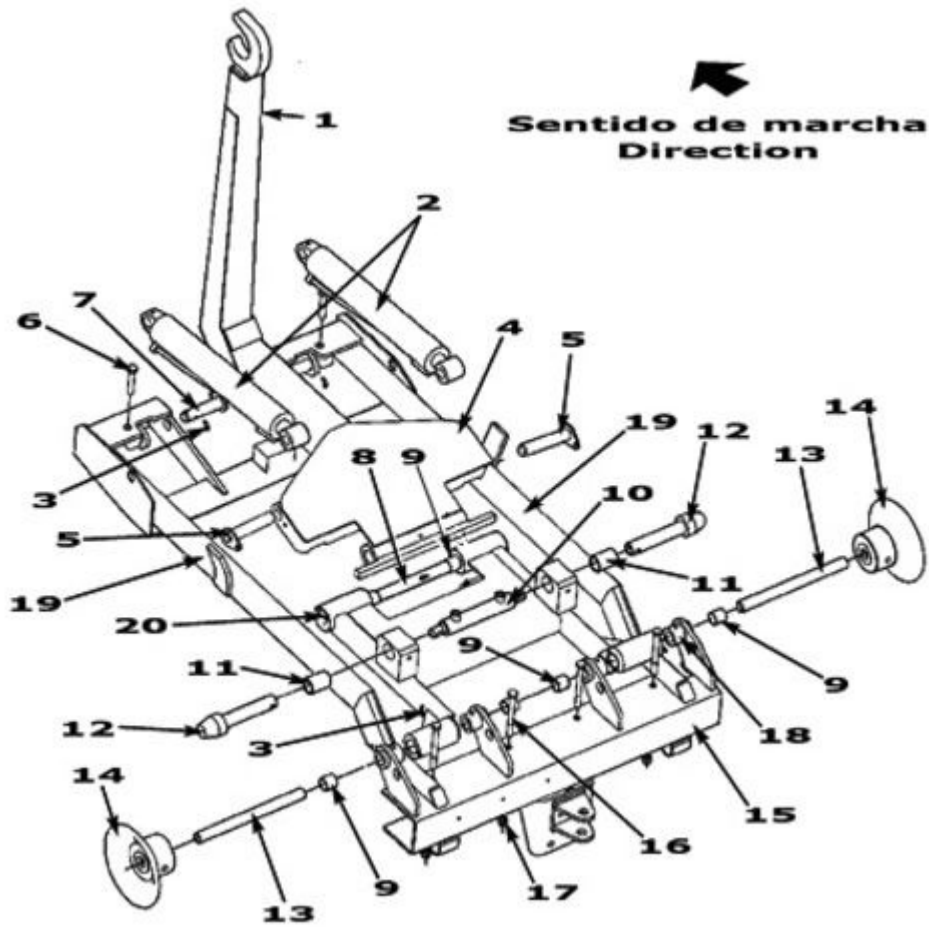


FIGURE	REFERENCE	DENOMINATION	AMOUNT
001	49.50300.00	COUPLING ARM	1
002	08.00500.09	CYLINDER D/E	2
003	903.08000.33	GREASER DIN71412-B	6
004	46.50314.00	SHEET SUPLEMENT	1
005	17.09311.01	CYLINDER AXLE 30X187	2
006	603.16080.86	BOLT DIN933 M16x80	2
007	17.09310.00	AXLE CYL/CYL 20X30X112	2
008	46.50509.00	SHAFT CIL/CIL	2
009	08.00527.00	BEARING	6
010	46.50104.01	CYLINDER D/E	1
011	923.35060.00	BEARING	2
012	46.50512.00	EJE	2
013	46.50115.00	*EJE	2
014	46.50120.00	*RODILLO	2
015	49.50602.00	FLANGE	1
016	604.14140.86	SCREW DIN931	4

017	711.14000.66	NUT DIN982 M14 8.8 K	4
019	49.50600.01	FRAME	1
020	49.50500.00	ARTICULATION COUPLING ASSEMBLY	1

COMMENTS

MOD.4349

10. HYDRAULIC DIAGRAM INSTALLATION DISTRIBUTOR

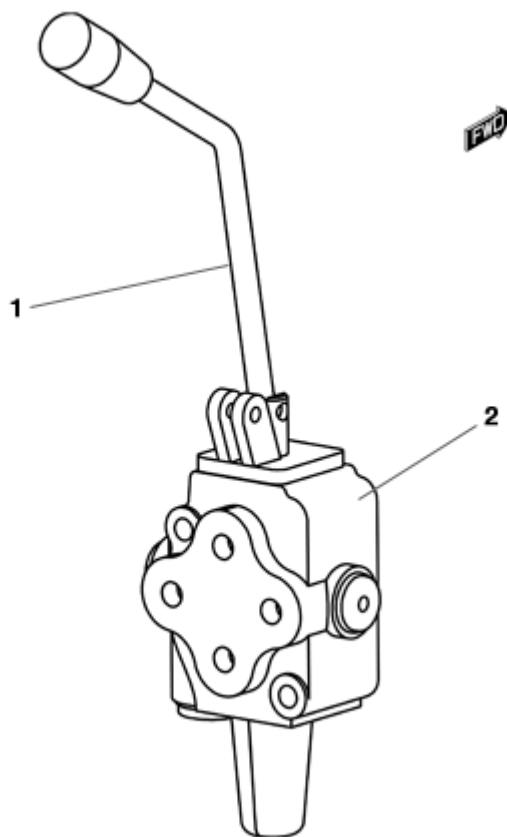


FIGURE	REFERENCE	DENOMINATION	AMOUNT
001	09.01451.01	PALANCA MANDO 10x21x255	1
002	46.10030.00	CONTROL VALVE 1E	1

10. HYDRAULIC DIAGRAM INSTALLATION

DISTRIBUTOR

CHASSIS: 68915



FIGURE	REFERENCE	DENOMINATION	AMOUNT
001	46.10087.00	LEVER MOUNTING BRACKET	1
002	46.10030.00	CONTROL VALVE 1E	1
003	701.10000.66	NUT DIN934 M10x1.5	1
004	46.10086.00	ROD. LEVER DISTRIBUTOR	1

10. HYDRAULIC DIAGRAM INSTALLATION HYDRAULIC TANK

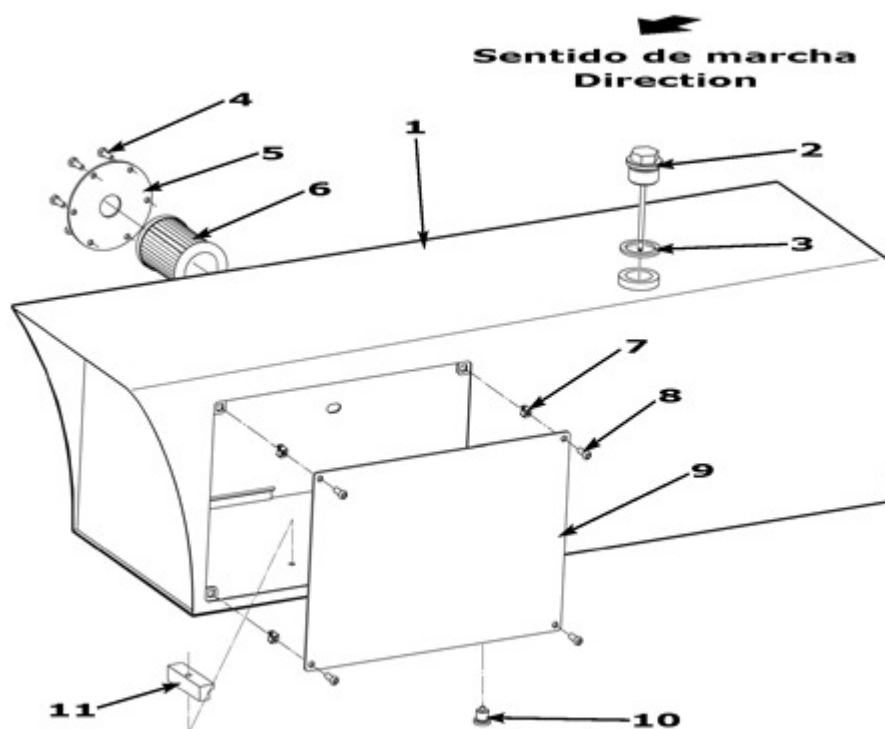
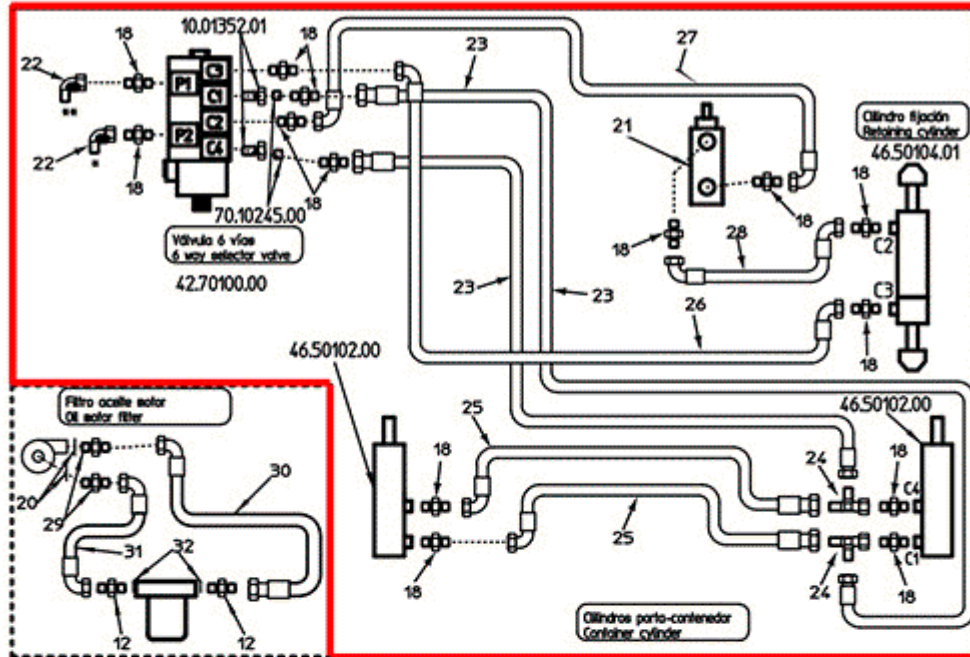


FIGURE	REFERENCE	DENOMINATION	AMOUNT
001	49.10050.01	TANK	1
002	46.10052.00	DIPSTICK 1 D5x85	1
003	43.13444.00	GASKET MET. BUNA	1
004	603.06015.86	SCREW DIN933 M6x15	6
005	02.01432.01	COVER HANDHOLE	1
006	09.00630.61	OIL FILTER ASP. 25 L/MIN	1
007	727.06004.86	CAGED NUT M6x4	4
008	630.06015.96	SCREW ISO7380 M6x15	4
008	630.06015.96	SCREW ISO7380 M6x15	4
009	49.10052.00	COVER	1
009	49.10052.00	COVER	1
010	10.00921.00	CAP M14X150 DIN908	1
010	10.00921.00	CAP M14X150 DIN908	1
011	43.10827.01	FIXING SUPPORT	1
011	43.10827.01	FIXING SUPPORT	1

10. HYDRAULIC DIAGRAM INSTALLATION SERVICE DIAGRAM



35- KIT PORTA-CONTENEDOR /
CONTAINER HOLDER KIT

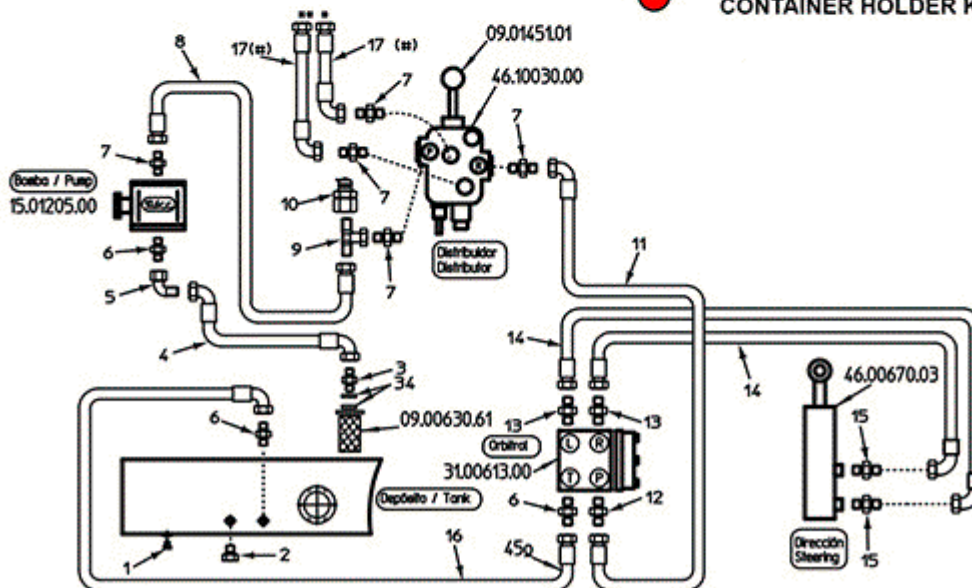


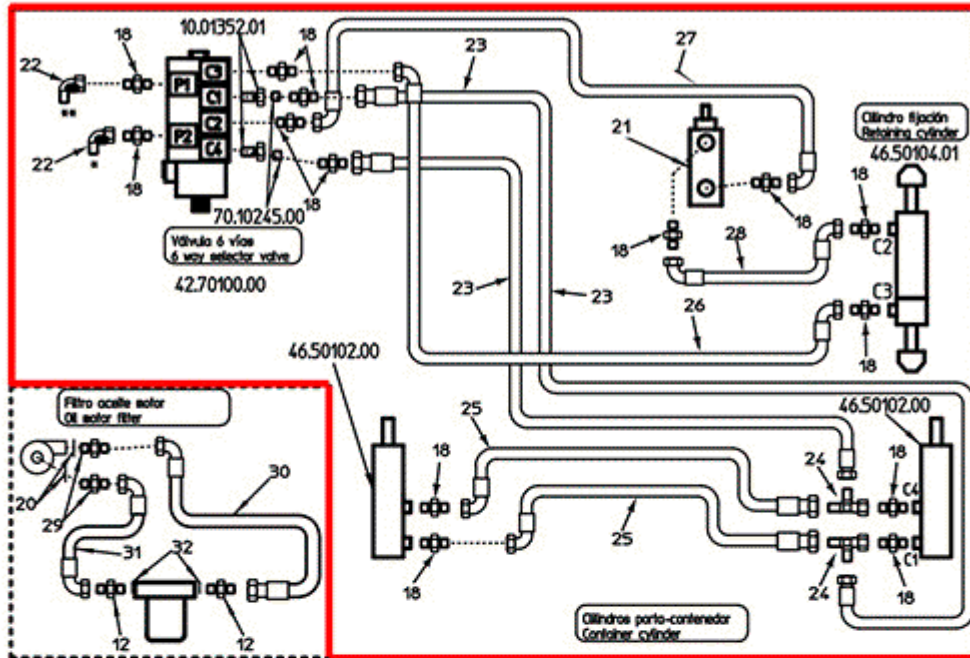
FIGURE	REFERENCE	DENOMINATION	AMOUNT
001	46.10264.00	PLUG WITH MAGNET M14X1.5	1
002	12.10322.00	"ALLEN CLOSER PLUG 1/2""G"	1
003	70.10207.00	FITTING M/M M26x3/4BSP	1
004	49.10081.00	HYDRAULIC HOSE R1T5/8 M26 M26X1120	1
005	46.10839.00	FITTING C90M/TL M26X1.5	1

006	70.10230.00	FITTING M/M M26x1,5- 1/2G	3
007	70.10222.00	FITTING M/M M18x3/8BSP	5
008	49.10082.00	HYDRAULIC HOSE R2T3/8 M18 M18X1.5X750	1
009	70.10225.00	NIPPLE FORT M/TL/M M18X1,5	1
010	70.10226.00	FITTING M/TL M16x2- M18x1,5	1
011	49.10083.00	HYDRAULIC HOSE R2T3/8 M18 C90M18X1250	1
012	70.10229.00	FITTING M/M M18x1/2BSP	3
013	46.10825.00	FITTING M/M M36-1G	2
014	49.10084.00	HYDRAULIC HOSE R1T1/4 C90M16 M16X1150	2
015	70.10239.00	FITTING M/M M16X1,5 - 1/4GAS	2
016	49.10085.00	HYDRAULIC HOSE R1T5/8 C90M26 C45M26-173	1
017	49.10086.00	HYDRAULIC HOSE R1T5/16 M16 C90M18X2800	2
018	46.10849.00	FITTING M/M M16-3/8BSP	14
021	49.10041.00	VALVE (PORT. CONT.)	1
022	46.10410.00	NIPPLE	2
023	49.09063.00	HYDRAULIC HOSE R1T1/4 M16 M16X500	2
024	46.10401.00	NIPPLE	2
025	49.09064.00	HYDRAULIC HOSE R1T1/4 M16 C90M16X530	2
026	49.09065.00	HYDRAULIC HOSE R1T1/4 C90M16 C90M16X100	1
027	49.09066.00	HYDRAULIC HOSE R1T1/4 C90M16 C90M16X540	1
028	49.09067.00	HYDRAULIC HOSE R1T1/4 C90M16 C90M16X520	1
029	70.10273.00	RACOR M/M M18X1.5-M16X1.5	2
030	49.10088.00	HOSE R1T3/8 C90M 18M 500	1
031	49.10087.00	HOSE	1
032	08.00316.00	METALLIC GASKET BUNA D1/2 G	2
034	45.01423.00	GASKET MET. BUNA	2
035	49.09062.00	CONTAINER HOLDER KIT	1

10. HYDRAULIC DIAGRAM INSTALLATION

SERVICE DIAGRAM

CHASSIS: 66202



● 35- KIT PORTA-CONTENEDOR / CONTAINER HOLDER KIT

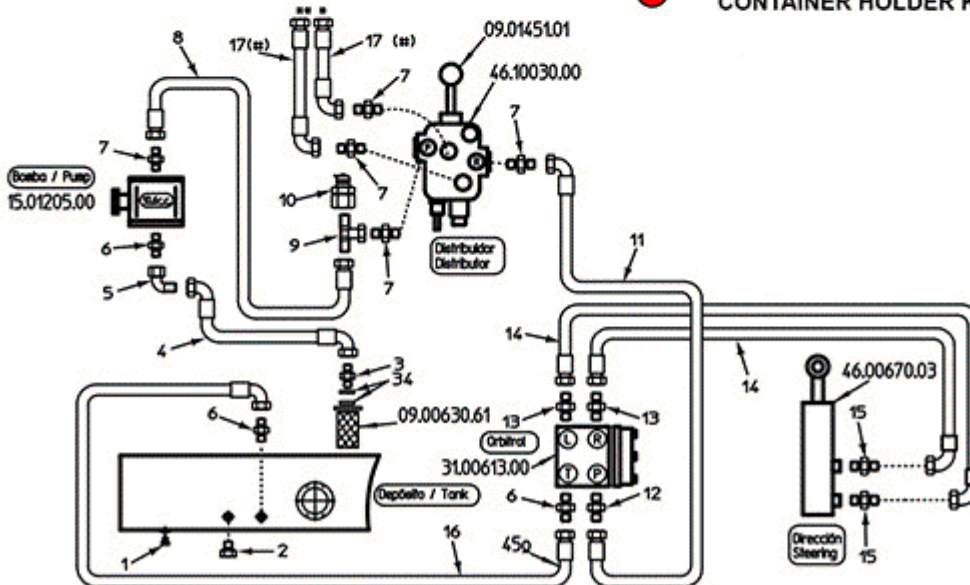


FIGURE	REFERENCE	DENOMINATION	AMOUNT
001	46.10264.00	PLUG WITH MAGNET M14X1.5	1
002	12.10322.00	"ALLEN CLOSER PLUG 1/2""G"	1
003	70.10207.00	FITTING M/M M26x3/4BSP	1
004	49.10081.00	HYDRAULIC HOSE R1T5/8 M26 M26X1120	1

005	46.10839.00	FITTING C90M/TL M26X1.5	1
006	70.10230.00	FITTING M/M M26x1,5- 1/2G	3
007	70.10222.00	FITTING M/M M18x3/8BSP	5
008	49.10082.00	HYDRAULIC HOSE R2T3/8 M18 M18X1.5X750	1
009	70.10225.00	NIPPLE FORT M/TL/M M18X1,5	1
010	70.10226.00	FITTING M/TL M16x2- M18x1,5	1
011	49.10083.00	HYDRAULIC HOSE R2T3/8 M18 C90M18X1250	1
012	70.10229.00	FITTING M/M M18x1/2BSP	3
013	46.10825.00	FITTING M/M M36-1G	2
014	49.10084.00	HYDRAULIC HOSE R1T1/4 C90M16 M16X1150	2
015	70.10239.00	FITTING M/M M16X1,5 - 1/4GAS	2
016	49.10085.00	HYDRAULIC HOSE R1T5/8 C90M26 C45M26-173	1
017	49.10086.00	HYDRAULIC HOSE R1T5/16 M16 C90M18X2800	2
018	46.10849.00	FITTING M/M M16-3/8BSP	14
021	54.01805.00	CONTROL VALVE 1E	1
022	46.10410.00	NIPPLE	2
023	49.09063.00	HYDRAULIC HOSE R1T1/4 M16 M16X500	2
024	46.10401.00	NIPPLE	2
025	49.09064.00	HYDRAULIC HOSE R1T1/4 M16 C90M16X530	2
026	49.09065.00	HYDRAULIC HOSE R1T1/4 C90M16 C90M16X100	1
027	49.09066.00	HYDRAULIC HOSE R1T1/4 C90M16 C90M16X540	1
028	49.09067.00	HYDRAULIC HOSE R1T1/4 C90M16 C90M16X520	1
029	70.10273.00	RACOR M/M M18X1.5-M16X1.5	2
030	49.10088.00	HOSE R1T3/8 C90M 18M 500	1
031	49.10087.00	HOSE	1
032	08.00316.00	METALLIC GASKET BUNA D1/2 G	2
034	45.01423.00	GASKET MET. BUNA	2
035	49.09062.01	CONTAINER HOLDER KIT	1

COMMENTS

MOD.4156

11. ELECTRIC INSTALLATION

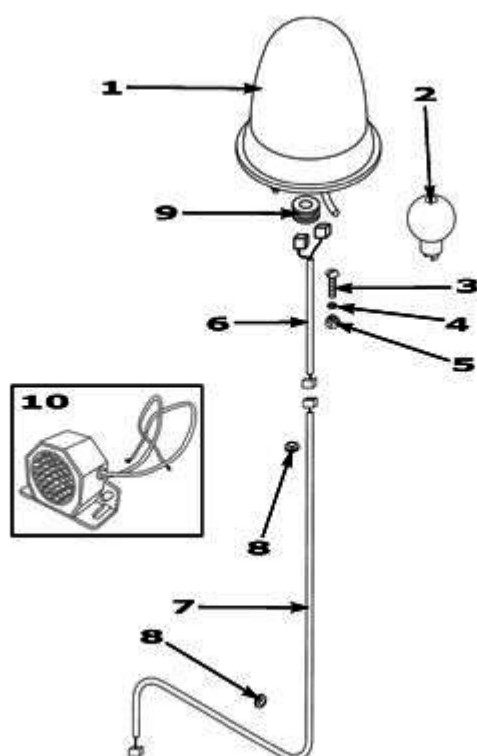


FIGURE	REFERENCE	DENOMINATION	AMOUNT
001	01.00921.00	BEACON	1
002	01.00923.00	BULB	1
003	603.06015.86	SCREW DIN933 M6x15	3
004	101.06000.66	WASHER DIN125 D6	3
005	711.06000.66	NUT DIN982 M6	3
006	46.11030.01	ROTATIVE BEACON ELECTRICAL LENGHT	1
007	46.11030.00	ELECTRICAL LENGTH ROTATIVE BEACON	1
008	21.00161.00	GROMMET	2
009	16.00760.00	BUSH	1
010	02.14110.00	AVISADOR~ACUSTICO~96DB	1

11. ELECTRIC INSTALLATION

CHASSIS: 60931

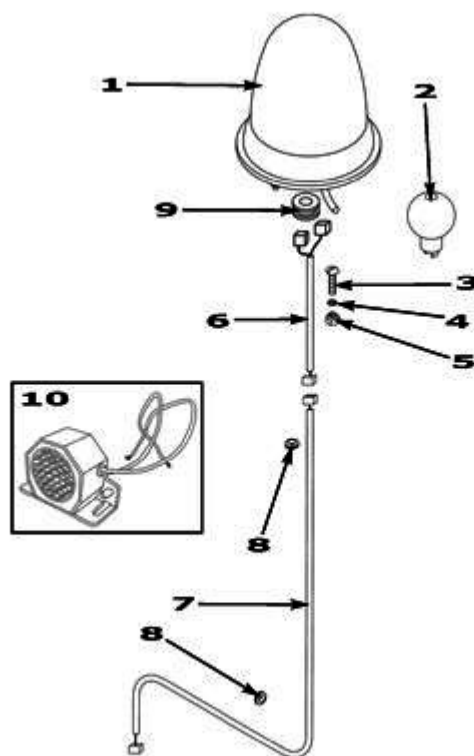


FIGURE	REFERENCE	DENOMINATION	AMOUNT
001	01.00921.00	BEACON	1
001	01.00921.02	ROTATING LIGHT BRITAX	1
002	01.00923.00	BULB	1
003	603.06015.86	SCREW DIN933 M6x15	3
004	101.06000.66	WASHER DIN125 D6	3
005	711.06000.66	NUT DIN982 M6	3
006	46.11030.01	ROTATIVE BEACON ELECTRICAL LENGHT	1
007	46.11030.00	ELECTRICAL LENGTH ROTATIVE BEACON	1
008	21.00161.00	GROMMET	2
009	16.00760.00	BUSH	1
010	02.14110.00	AVISADOR~ACUSTICO~96DB	1

11. ELECTRIC INSTALLATION BATTERY

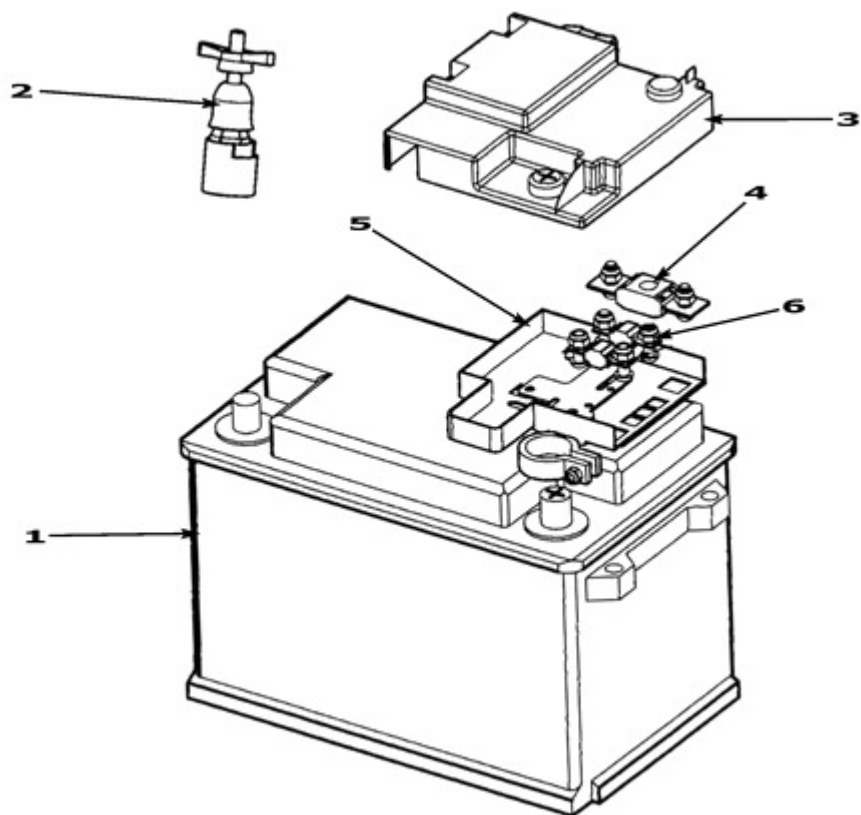


FIGURE	REFERENCE	DENOMINATION	AMOUNT
001	15.01411.00	BATTERY 12VX70AH	1
002	20.11007.00	DISCONNECTOR	1
003	20.11014.00	BATTERY FUSEBOX COVER	1
004	20.11010.01	FUSE	1
005	20.11009.00	BATTERY FUSE BOX	1
006	20.11011.00	FUSE 50A PROTECTION	3

11. ELECTRIC INSTALLATION

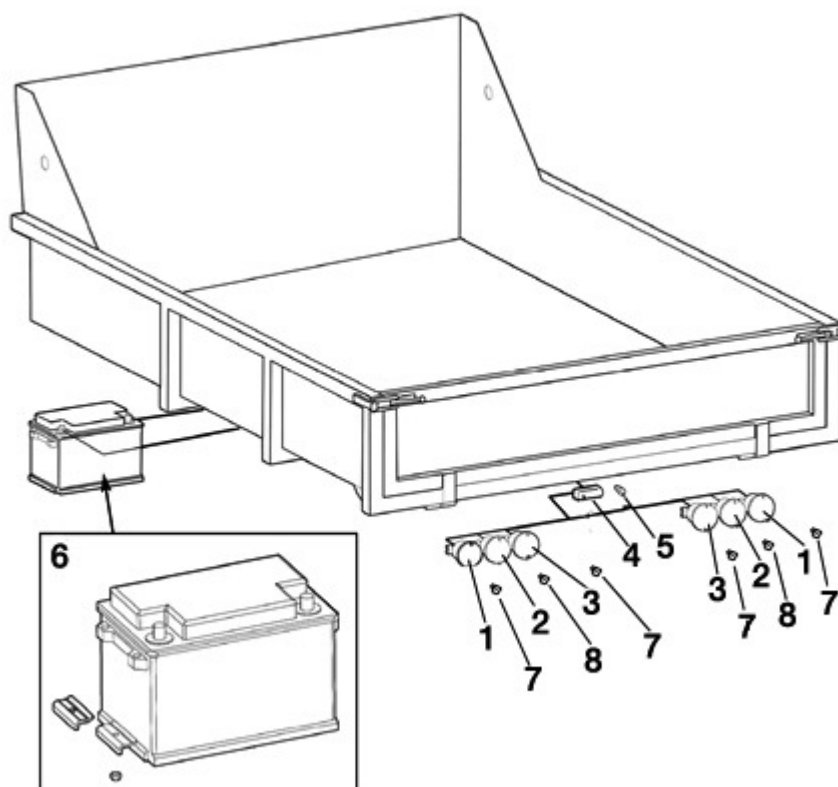


FIGURE	REFERENCE	DENOMINATION	AMOUNT
001	13.11119.00	REAR INTERMITENT PILOT	2
001	13.11119.00	REAR INTERMITENT PILOT	2
002	13.11118.00	BRAKE LIGHT PILOT	2
002	13.11118.00	BRAKE LIGHT PILOT	2
003	13.11120.00	REVERSE PILOT	2
003	13.11120.00	REVERSE PILOT	2
004	46.10755.00	NUMBER PLATE LIGHT	1
005	43.01324.00	BULB	1
006	15.01411.00	BATTERY 12VX70AH	1

11. ELECTRIC INSTALLATION

ENGINE COVER 1

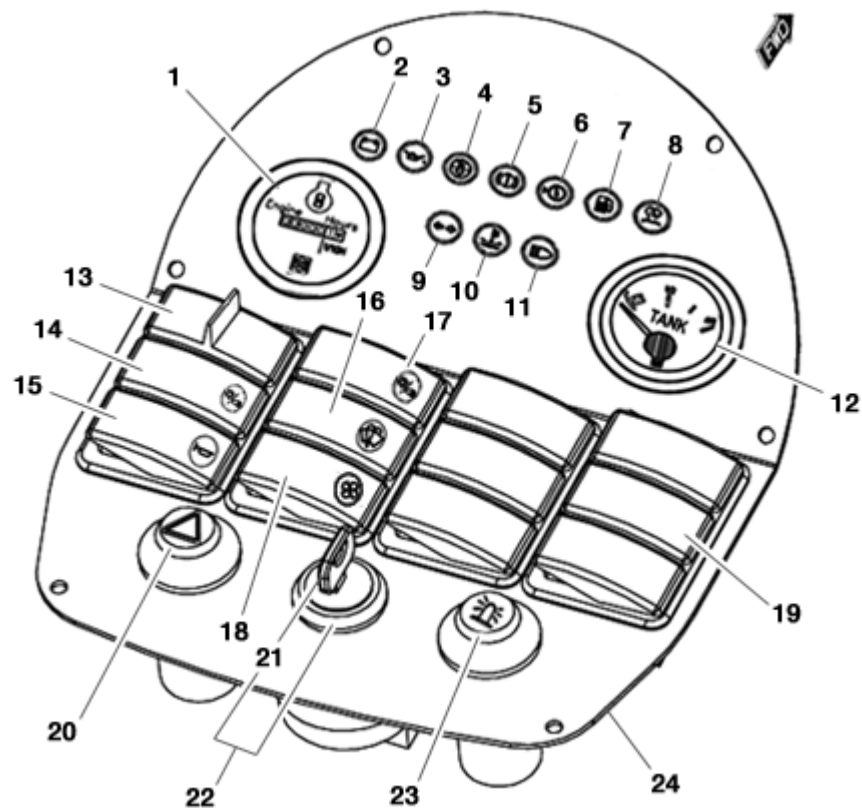


FIGURE	REFERENCE	DENOMINATION	AMOUNT
001	IM.30022.00	HOURMETER	1
002	IM.20110.00	GENERATOR INDICATOR	1
003	IM.30020.00	ENGINE OIL LEVEL LAMP	1
004	IM.20113.00	AIR FILTER INDICATOR	1
005	IM.30021.00	BRAKE FAILURE INDICATOR	1
006	IM.20109.00	OIL PRESSURE INDICATOR	1
007	IM.20116.00	LUZ TESTIGO NIVEL COMB.	1
008	IM.20114.00	PRE HEATING INDICATOR	1
009	IM.20107.00	INTERMITTENT LIGHT INDICATOR	1
010	IM.20108.00	WATER TEMPERATURE INDICATOR	1
011	IM.20112.00	BEAM LIGHTS INDICATOR	1
012	IM.30023.00	FUEL LEVEL GAUGE	1
013	IM.30006.00	TURN LIGHTS SELECTOR	1
014	IM.30010.00	POSITION LIGHTS SWITCH	1
015	IM.30007.00	HORN PUSH	1
016	IM.30001.00	WINDSCREEN SWITCH	1
017	IM.30008.00	LOW/HIGH BEAM LAMP SWITCH	1
018	IM.30009.00	FAN SWITCH	1

11. ELECTRIC INSTALLATION

ENGINE COVER 1

FIGURE	REFERENCE	DENOMINATION	AMOUNT
019	IM.30011.00	PANEL CAP	6
020	IM.30004.00	WARNING SWITCH	1
021	IM.30025.99	KEY	1
022	IM.30025.00	STARTER COMMUTATOR + KEY	1
023	IM.30005.00	REVOLVING WARNING LAMP	1
024	49.11096.00	FULL FRONT PANEL	1

08. BODYWORK

FRONT SIDE CABIN (PART 2)

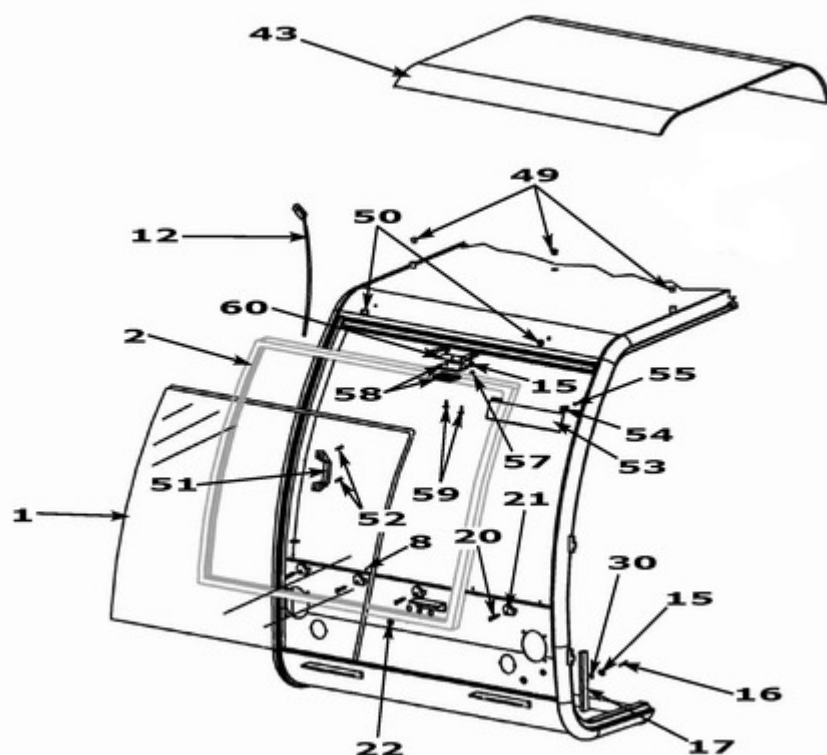


FIGURE	REFERENCE	DENOMINATION	AMOUNT
001	46.08550.00	FRONT WINDSHIELD	1
001	46.08550.00	FRONT WINDSHIELD	1
002	46.82043.00	RUBBER PROFILE	1
002	46.82043.00	RUBBER PROFILE	1
008	46.08561.00	NUT	4
008	46.08561.00	NUT	4
012	46.08014.00	LEFT COVER	1
012	46.08014.00	LEFT COVER	1
015	46.82111.00	WASHER DIN125	12
015	46.82111.00	WASHER DIN125	12
016	MA.30041.00	SCREW DIN798	4
016	MA.30041.00	SCREW DIN798	4
017	46.08577.00		2
017	46.08577.00		2
020	MA.10065.00	SCREW DIN7604	4
020	MA.10065.00	SCREW DIN7604	4
021	MA.10030.00	NUT DIN1587	4
021	MA.10030.00	NUT DIN1587	4

08. BODYWORK

FRONT SIDE CABIN (PART 2)

FIGURE	REFERENCE	DENOMINATION	AMOUNT
022	MA.10025.00	CABLE GROMMET	1
022	MA.10025.00	CABLE GROMMET	1
029	46.08625.00	WINDSCREEN-WIPER ELECTRICAL LENGTH	1
029	46.08625.00	WINDSCREEN-WIPER ELECTRICAL LENGTH	1
030	46.08575.00	PAW	6
030	46.08575.00	PAW	6
043	46.08075.00	COVER	1
043	46.08075.00	COVER	1
049	MA.20047.00	PLASTIC CAP	3
050	MA.30060.00		2
051	46.82054.00	KNOB	2
052	624.06018.66	SCREW	4
053	46.08606.00	SUN VISOR	1
054	46.08607.00	SUPPORT	1
055	46.08608.00	BOLT DIN7991 M5x20	3
057	MA.30062.00	NUT DIN985 M6	2
058	46.08611.00	BEACON	1
059	46.08610.00	BOLT DIN933 M4x16	2
060	46.08609.00	NUT DIN934 M4	2

08. BODYWORK

FRONT SIDE CABIN (PART 3)

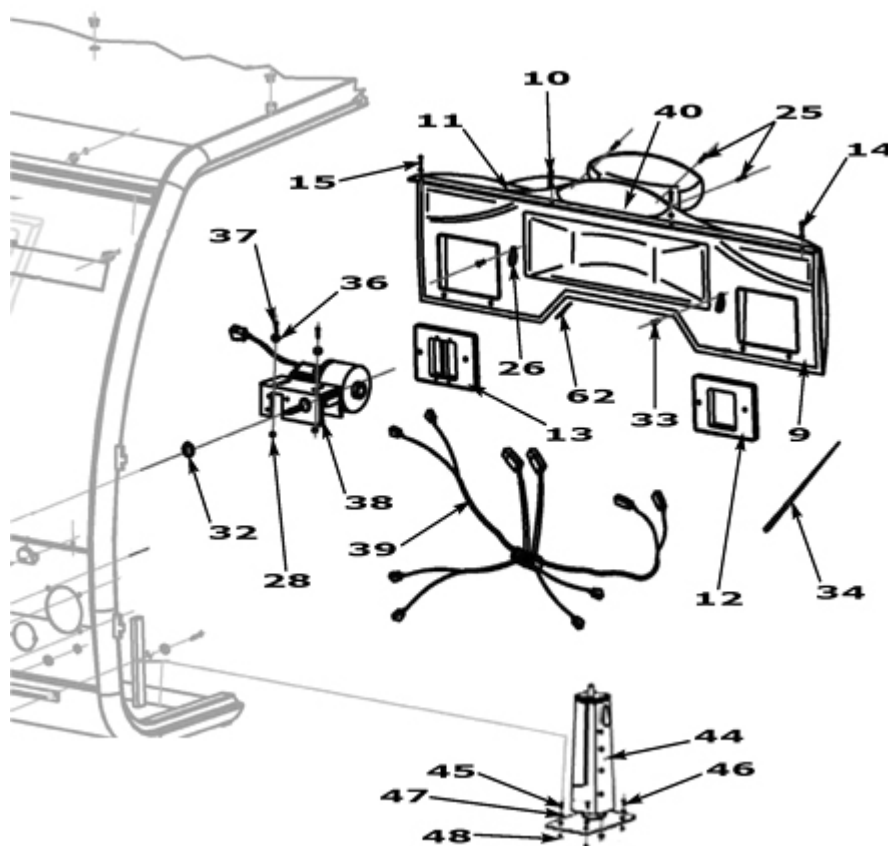


FIGURE	REFERENCE	DENOMINATION	AMOUNT
009	MA.30040.00		1
010	46.08012.00	BOX	1
011	46.08015.00	COVER	1
012	46.08014.00	LEFT COVER	1
013	46.08016.00	RIGHT COVER	1
014	46.08574.00	SCREW DIN 7985 M6x30/1,0	4
015	46.82111.00	WASHER DIN125	12
025	720.06000.66	NUT	6
026	46.08573.00	CLAMP	2
028	MA.30045.00	NUT M8	2
032	MA.30046.00		1
033	46.08578.00	SCREW	6
034	46.08579.00	CLAMP	1
036	MA.30048.00	WASHER DIN9021 D8	1
037	MA.30049.00	SCREW DIN933 M8X20	2
038	MA.30050.00	ENGINE WINDSHIELD WASHER	1
039	MA.30051.00	LIGHTS WIRING HARNESS	1
040	MA.30052.00		1

08. BODYWORK

FRONT SIDE CABIN (PART 3)

FIGURE	REFERENCE	DENOMINATION	AMOUNT
044	46.06245.00	STEERING COLUMN	1
045	MA.30055.00	SCREW DIN933 M10X25	2
046	MA.30056.00	SCREW DIN933 M10X40	2
047	MA.30057.00	WASHER DIN125 D10	4
048	MA.30058.00	NUT DIN985 M1	4
062	46.08617.00	ADHESIVE	6

12. FINISHES PLATES AND DECALS



FIGURE	REFERENCE	DENOMINATION	AMOUNT
001	01.00779.26	PLATE - CONTACT WITH AUSA	1
002	14.00775.00	PLATE AD. INDI	1
002	14.00775.01	PLATE AD. INDI	1
003	09.00769.00	PLATE AD. INDI	1
004	46.01351.00	PLATE AD. INDI	1
005	46.09909.00	PLATE AD. INDI	1
006	49.12010.00	ADHESIVE, 45x209.5 M 150 MC	2
007	13.12136.00	ADHESIVE 450x92	2
008	01.01355.07	PLATE AD. INDI	2
009	43.01355.01	PLATE AD. INDI	4
010	46.01361.00	PLATE AD. INDI	1
010	46.01361.01	PLATE AD. INDI	1
011	43.01352.10	PLATE AD. INDI	1
012	43.01356.00	PLATE AD. INDI	1
013	43.01170.02	PLATE AD. INDI	1
014	09.09902.01	PLATE AD. INDI	1
015	02.00779.02	PLATE AD. INDI	1
015	02.00774.00	PLATE AD. INDI	1

12. FINISHES

PLATES AND DECALS

FIGURE	REFERENCE	DENOMINATION	AMOUNT
016	46.08099.00	AUSA BADGE	1
017	46.01355.00	PLATE AD. INDI	1
018	02.00773.00	PLATE AD. INDI ALEMAN	1
018	02.00773.01	PLATE AD. INDI	1
019	09.12014.00	ADHESIVE	4
020	45.19101.00	PLATE AD. INDI	1
021	13.12109.00	ADHESIVE PLATE	2
022	70.12022.00	ADHESIVE PLATE	2
023	49.51353.00	PLATE AD. INDI	1
025	46.09910.00	PLATE AD. INDI	1
026	46.09911.00	PLATE AD. INDI	1
026	46.09911.00	PLATE AD. INDI	1
027	46.12015.00	PLATE AD. INDI	1

12. FINISHES

PLATES AND DECALS

CHASSIS: 62577



FIGURE	REFERENCE	DENOMINATION	AMOUNT
001	01.00779.26	PLATE - CONTACT WITH AUSA	1
002	14.00775.00	PLATE AD. INDI	1
002	14.00775.01	PLATE AD. INDI	1
003	09.00769.00	PLATE AD. INDI	1
004	46.01351.00	PLATE AD. INDI	1
005	46.09909.00	PLATE AD. INDI	1
006	49.12010.00	ADHESIVE, 45x209.5 M 150 MC	2
007	13.12136.00	ADHESIVE 450x92	2
008	01.01355.07	PLATE AD. INDI	2
009	43.01355.01	PLATE AD. INDI	4
010	46.01361.00	PLATE AD. INDI	1
010	46.01361.01	PLATE AD. INDI	1
011	43.01352.10	PLATE AD. INDI	1
012	43.01356.00	PLATE AD. INDI	1
013	43.01170.02	PLATE AD. INDI	1
014	09.09902.01	PLATE AD. INDI	1
015	02.00779.02	PLATE AD. INDI	1
015	02.00774.00	PLATE AD. INDI	1

12. FINISHES

PLATES AND DECALS

CHASSIS: 62577

FIGURE	REFERENCE	DENOMINATION	AMOUNT
016	46.08099.00	AUSA BADGE	1
017	46.01355.00	PLATE AD. INDI	1
018	02.00773.00	PLATE AD. INDI ALEMAN	1
018	02.00773.01	PLATE AD. INDI	1
019	09.12011.00	ADHESIVE	1
020	45.19101.00	PLATE AD. INDI	1
021	13.12109.00	ADHESIVE PLATE	2
022	70.12022.00	ADHESIVE PLATE	2
023	49.51353.00	PLATE AD. INDI	1
025	46.09910.00	PLATE AD. INDI	1
026	46.09911.00	PLATE AD. INDI	1
027	46.12015.00	PLATE AD. INDI	1

OPTION AND VARIANTS

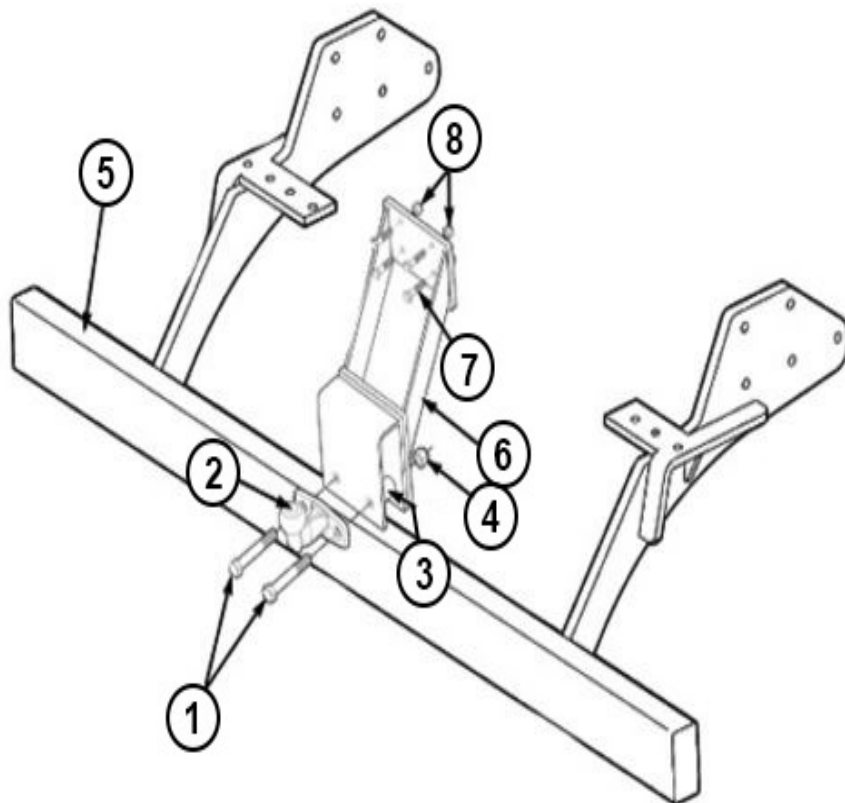


FIGURE	REFERENCE	DENOMINATION	AMOUNT
001	604.16110.86	SCREW DIN931 M16x110	2
002	14.00794.00	COUPLING BALL	1
003	46.00704.00	BUSHING 50x18x30	2
004	711.16000.66	NUT DIN982 M16 8.8 K	2
005	46.08030.01	REAR BUMPER 55X1600	1
006	46.00702.01	SUPPORT	1
007	604.10040.86	SCREW DIN931	4
008	711.10000.66	NUT DIN982 M10x1.5	4

OPTION AND VARIANTS

CHASSIS: 69761

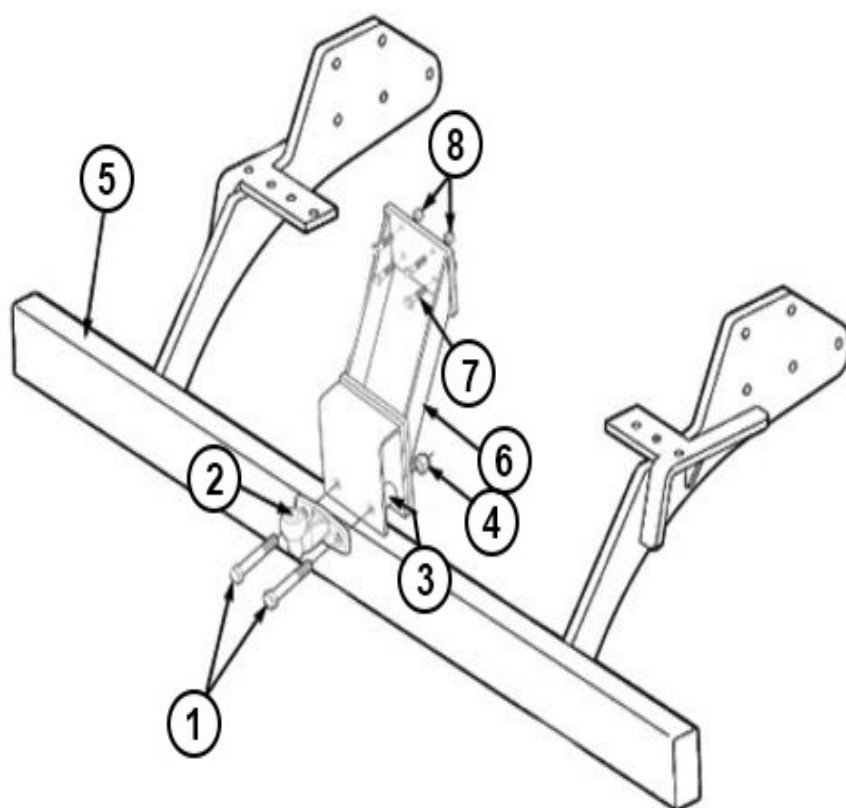


FIGURE	REFERENCE	DENOMINATION	AMOUNT
001	604.16110.86	SCREW DIN931 M16x110	2
002	14.00794.01	COUPLING BALL	1
003	46.00704.00	BUSHING 50x18x30	2
004	711.16000.66	NUT DIN982 M16 8.8 K	2
005	46.08030.01	REAR BUMPER 55X1600	1
006	46.00702.01	SUPPORT	1
007	604.10040.86	SCREW DIN931	4
008	711.10000.66	NUT DIN982 M10x1.5	4

COMMENTS

MOD.4244

INDEX

00. MAINTENANCE

Filters kit	2
-------------	---

02. ENGINE

Kubota Engine (Part 1)	3
Kubota Engine (Part 2)	4
Delivery	5
Clutch	6
Clutch - 66993	7
Exhaust pipe	8
Exhaust pipe - 54768	9
Exhaust pipe - 61598	10
Air filter comp.	11
Air filter comp. - 66424	12
Fuel tank	13
Radiator	14
Expansion tank	15
Supports	16
Pump coupling	17

03. TRANSMISSION

Boîte à vitesses	18
Boîte à vitesses - 62577	19
	20
	21
Gearbox (Mainshaft & Accessories) PART 1	23
Gearbox (Mainshaft & Accessories) PART 2	24
Gearbox (Mainshaft & Accessories) PART 3 - 51568	26
Gearbox (Mainshaft & Accessories) PART 4	28
Gearbox (Mainshaft & Accessories) PART 4 - 63400	29
Gearbox (Mainshaft & Accessories) PART 4 - 66721	30
FRONT AXLE	31
FRONT AXLE (1)	32
FRONT AXLE (2)	34
FRONT AXLE (3)	35
Transmission (Rear axle)	
Rear axle	36
Wheel hub	37

Carter différentiel	39
Carter différentiel - 67456	41
Differential	43
Brake	44
Suspension	45

03. TRANSMISSION

Kardan joint	46
Clutch (Part 1)	47
Clutch (Part 1) - 52063	49
Clutch (Part 1) - 60008	51
Clutch (Part 1) - 62577	53
Clutch (Part 1) - 63853	55
Clutch (Part 1) - 69993	57
Clutch (Part 2)	59
Clutch (Part 2) - 52063	60

Accelerator

Accelerator pedal	61
-------------------	----

04. CHASSIS

Chassis	62
---------	----

05. BRAKE ACTIVATION

Handbrake	63
-----------	----

Operation brake

Brake	64
-------	----

06. DIRECTION

Hydraulic steering	67
Hydraulic steering - 64313	68
Steering cylinder mounting	69

Wheel

Wheel	70
-------	----

07. WHEEL

Optional rear wheels	71
----------------------	----

BODY

SHOCK ABSORBER	72
08. BODYWORK	
Front side cabin (PART 1)	73
Lateral mounting	75
Rear mounting	77
Trimmings	79
Chauffage	80
Seat	81
Mudguard	82
09. MACHINE OPERATION TOOLS	
Hopper container holder	83
Chassis container holder	84
Chassis container holder - 66202	86
Chassis container holder - 72251	88
10. HYDRAULIC DIAGRAM INSTALLATION	
Distributor	89
Distributor - 68915	90
Hydraulic tank	91
Service diagram	92
Service diagram - 66202	93
11. ELECTRIC INSTALLATION	
	94
- 60931	95
Battery	96
	97
Engine cover 1	98
08. BODYWORK	
Front side cabin (PART 2)	100
Front side cabin (PART 3)	102
12. FINISHES	
Plates and decals	104
Plates and decals - 62577	106
Option and variants	108

